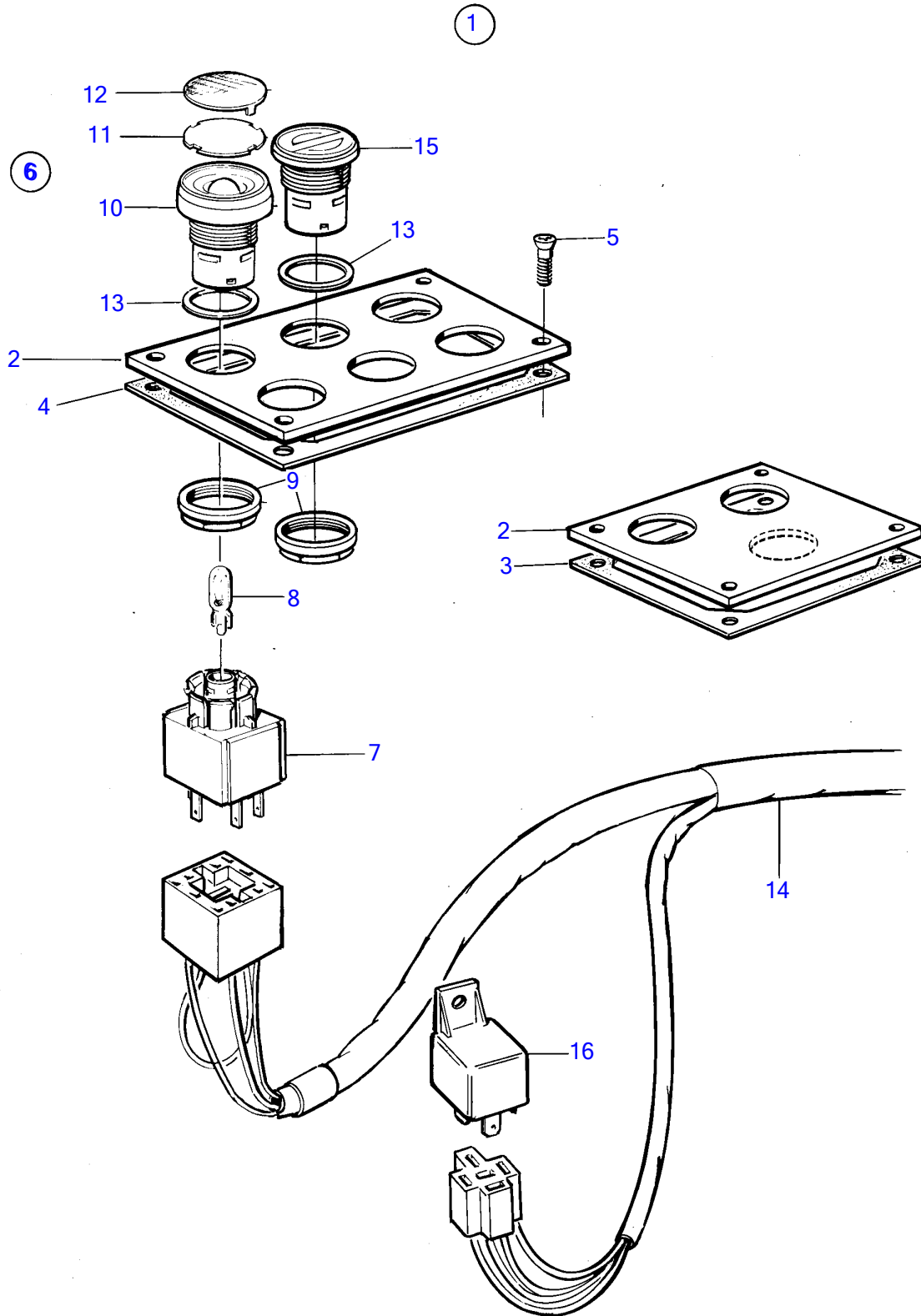


TAMD122P-B, TAMD122P-C



16756

## TAMD122P-B, TAMD122P-C

REF	PART NO.	QTY	DESCRIPTION	NOTES
1		1	Control panel	Single engine installation. For single station., 2 hole
2	873642	1	• Plate	Single engine installation. For single station., 3 hole
3	873643	1	• Gasket	
5	828647	4	• Screw	
6	876950	2	• Push button kit	
7		2	• • Connector unit	24V, 1,2W
8	942327	2	• • Bulb	12V, 1,2W
	943638	2	• • Bulb	24V, 1,2W
9		2	• • Attaching ring	
10		2	• • Button	Green
11		12	• • Symbol strip	Yellow
12		2	• • Cover plate	Red
		2	• • Cover plate	Blue
		2	• • Cover plate	Red
		2	• • Cover plate	Blue
13		2	• • Gasket	
14	873629	1	• Wiring harness	