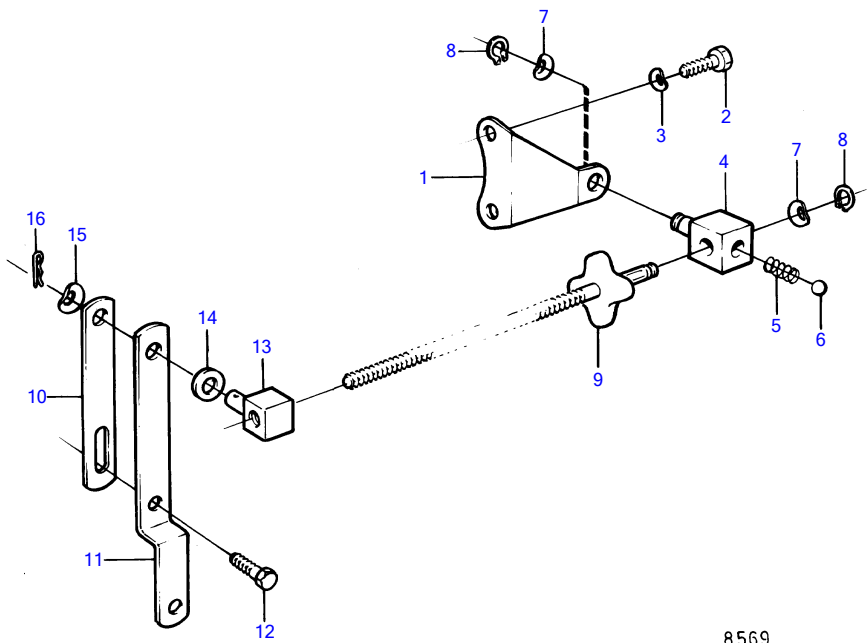
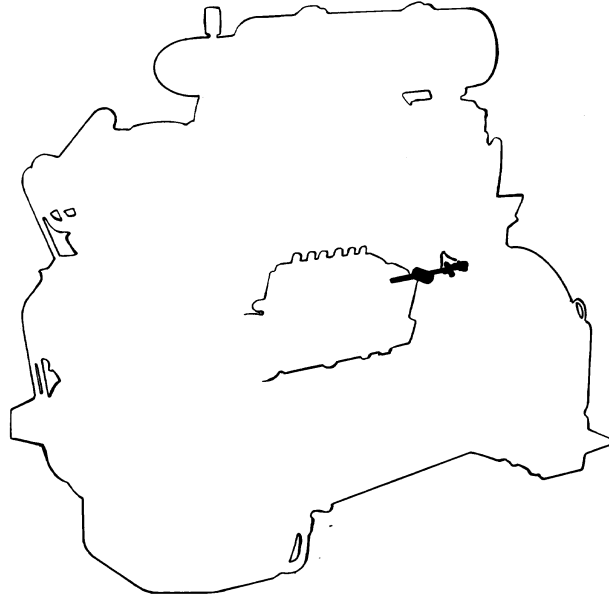


TAMD122A, TMD122A



8569

TAMD122A, TMD122A

REF	PART NO.	QTY	DESCRIPTION	NOTES
1	(848632)	1	Attaching plate	Obsolete part
2	955272	2	Hexagon screw	
3	941906	3	Spring washer	
4	846654	1	Cube	
5	(88333)	1	Compression spring	Obsolete part
6	26694	1	Ball	
7	69556	2	Spring washer	
8	955964	2	Snap ring	
9	846657	1	Control rod	
10		1	Arm	See group 23
11	846656	1	Control arm	
12	955272	1	Hexagon screw	
13	862121	1	Cube	
14	955894	1	Washer	
15	941907	1	Spring washer	
16	664822	1	Split pin	