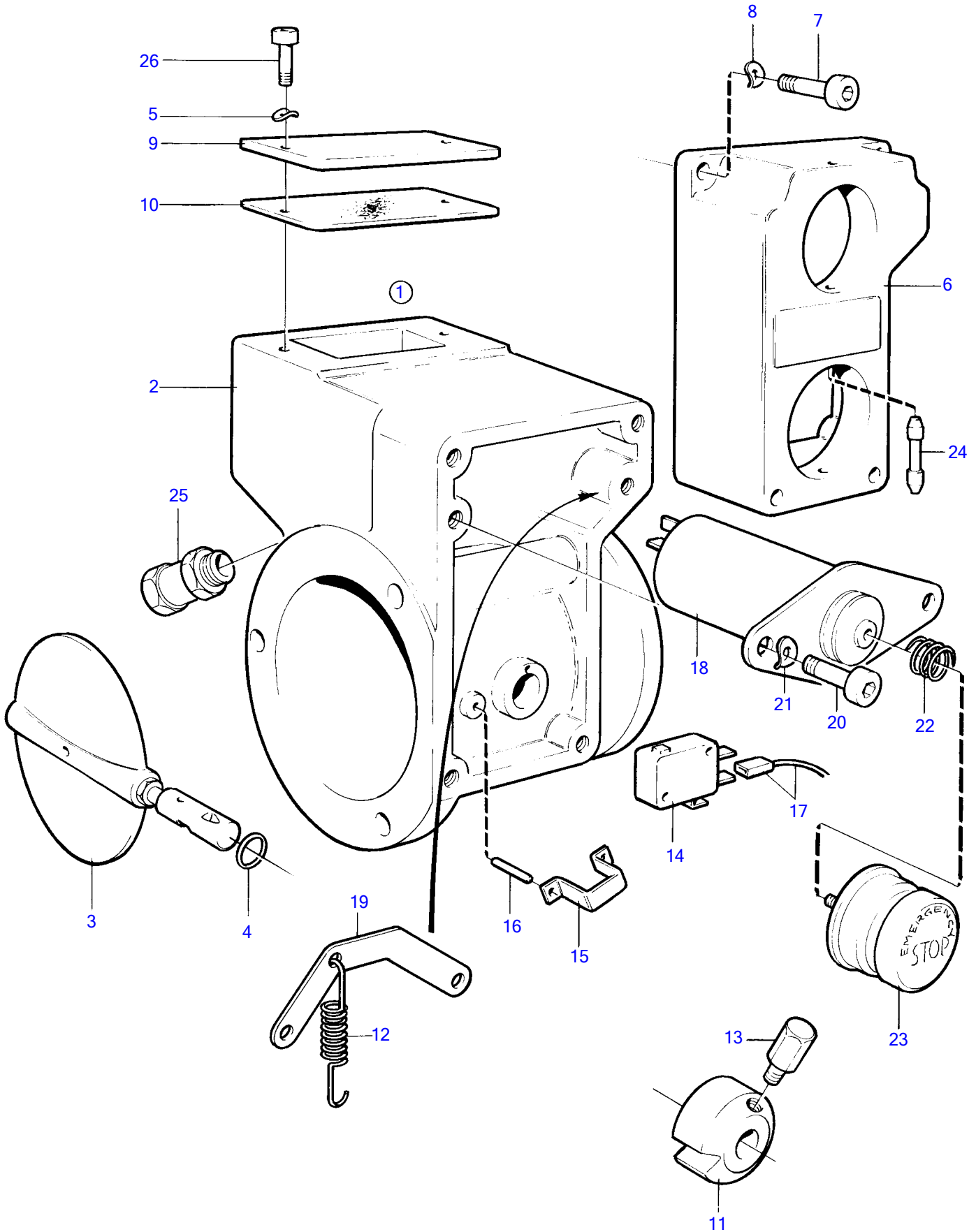


TAMD122A, TMD122A, TAMD122P-A, TAMD122P-B, TAMD122P-C



TAMD122A, TMD122A, TAMD122P-A, TAMD122P-B, TAMD122P-C

REF	PART NO.	QTY	DESCRIPTION	SEE SEC.	NOTES
1	(848090)	1	Shutter housing		Obsolete part
2		1	• Housing		
3		1	• Shutter		
4	925053	1	• O-ring		
5	941905	2	Spring washer		
6	(842893)	1	Cardboard tube		Obsolete part
7	959190	4	Hex. socket screw		L=20mm
	956081	2	Cross recessed screw		Alt, L=25mm
8	941905	4	Spring washer		
9	843696	1	Cardboard tube		
10	(843697)	1	Gasket		Obsolete part
11	842899	1	Spacer sleeve		
12	897841	1	Tension spring		
13	842903	1	Knob		
14	850200	1	Toggle switch		
15	844574	1	Spring		
16	951938	2	Spring pin		
17		X	electrical materials	1963	
18	847952	1	Stop solenoid		
19	(848088)	1	Brace		Obsolete part
20	942001	2	Hex. socket screw		
21	941906	2	Spring washer		
22	842900	1	Compression spring		
23	847918	1	Stop device		
24	847917	1	Inhibitor plunger		
25	844576	1	Grommet		
26	941460	2	Hex. socket screw		