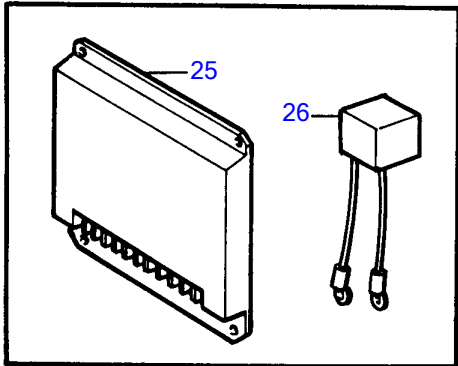
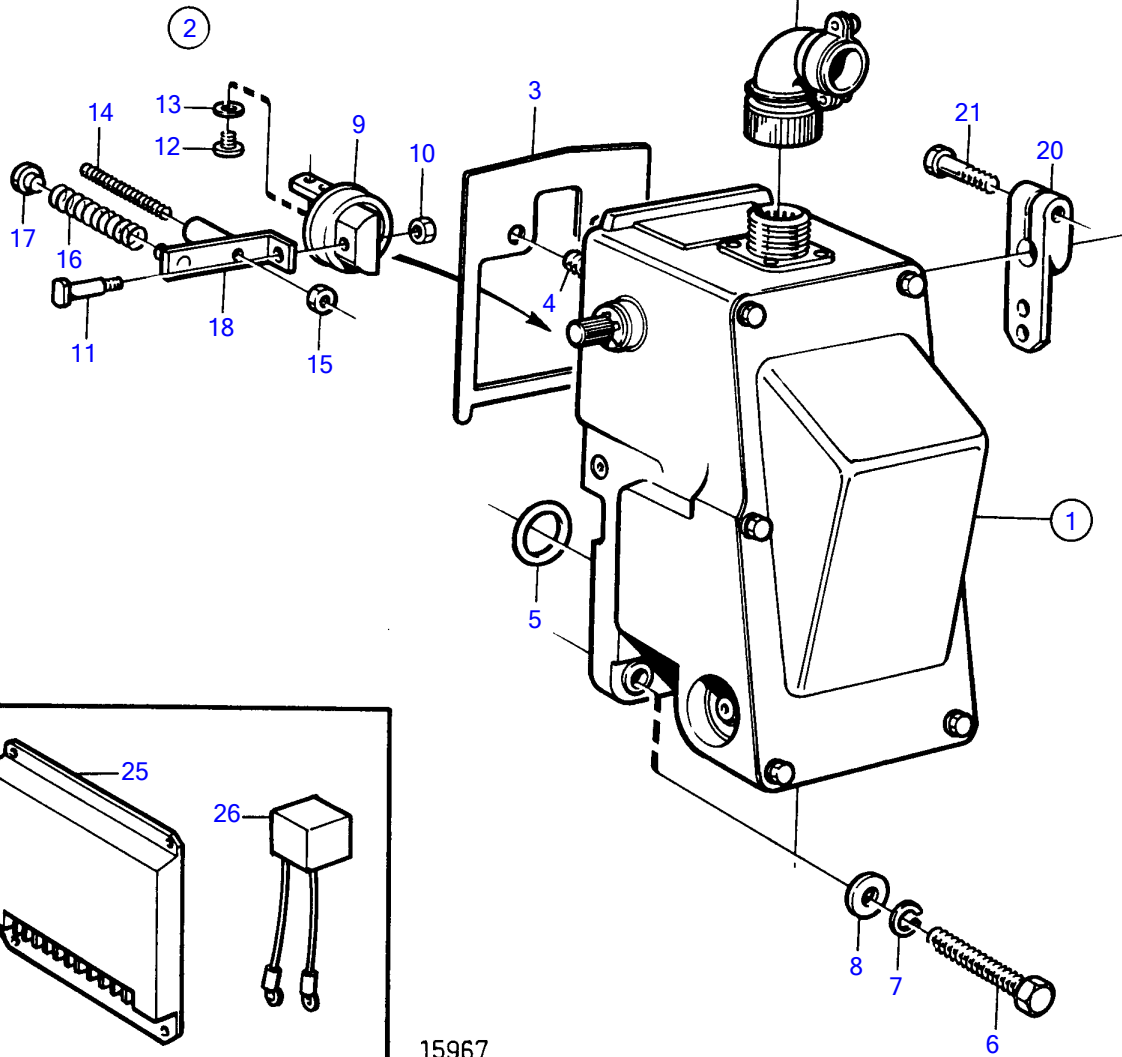
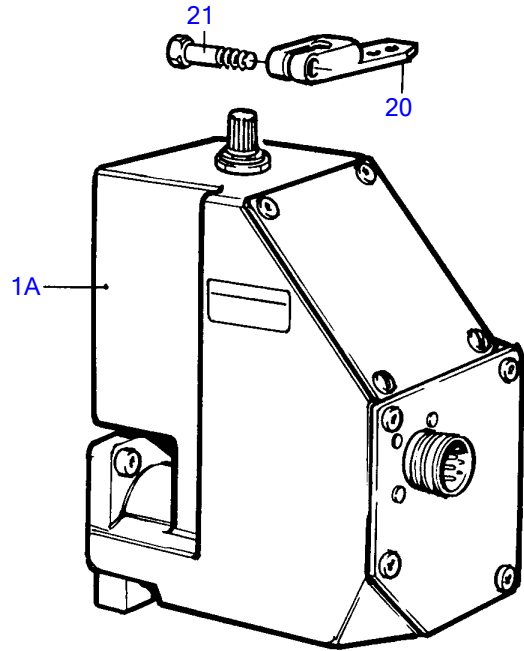
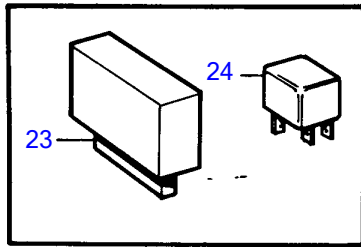
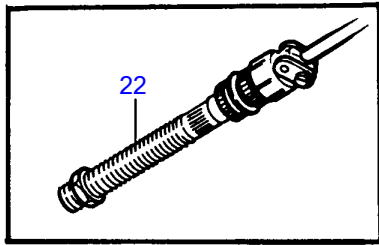


TAMD122A, TMD122A



15967

15967

7746700-27-2175

Upd:2012-02-22

TAMD122A, TMD122A

REF	PART NO.	QTY	DESCRIPTION	NOTES
1	848990	1	Actuator	Replaced by governor 866167 + mounting kit 866169., Ambac
1A	866167	1	Actuator	Replaced by 3825454., GAC. ACB275D
1	3825454	1	Actuator	GAC. ACB275H
			• parts not sold separately	
2	(848989)	1	Mounting kit	For 848990, Obsolete part
	866169	1	Mounting kit	For 866167
			• parts not sold separately	
3		1	• Gasket	
4		2	• Screw	
5		1	• O-ring	
6		2	• Screw	
7		2	• Lock washer	
8		2	• Washer	
9		1	• Link	
10	963103	1	• Lock nut	(847755)
11		2	• Screw	
12		2	• Screw	
13		2	• Lock washer	
14		1	• Screw	
15		1	• Nut	
16		1	• Spring	
17		1	• Seat	
18		1	• Bracket	
19	846580	1	Switch	
20	846426	1	Intermediate lever	
21	(955637)	1	Hexagon screw	Obsolete part
22	863618	1	Impulse sensor	(834551)
23	843910	1	Race gard	
24	877306	1	Relay	(8153600)
25	881616	1	Control unit	(865414)
26	849394	1	• Transient protector	For control unit.