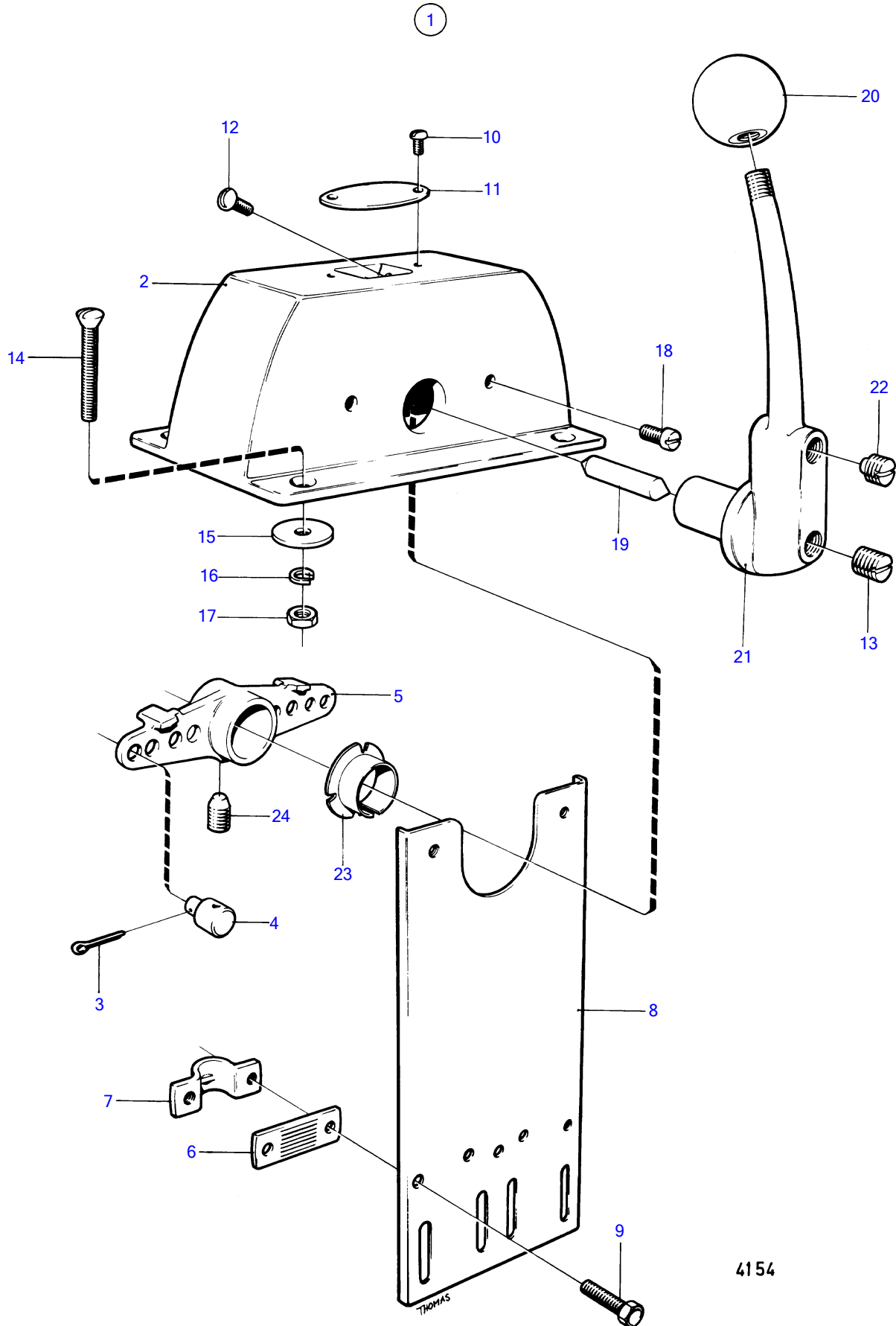


TAMD122A, TMD122A, TAMD122P-A, TAMD122P-B, TAMD122P-C



TAMD122A, TMD122A, TAMD122P-A, TAMD122P-B, TAMD122P-C

REF	PART NO.	QTY	DESCRIPTION	NOTES
1	(825627)	1	Control	Obsolete part
2		1	• Housing	
3	17276	1	• Split pin	
4	3852329	1	• Cube	(804312)
5		1	• Lever	
6		1	• Plate	
7		1	• Cable attachment	
8		1	• Bracket	
9	192245	2	• Screw	
10	(950001)	2	• Cross recessed screw	Obsolete part
11		1	• Sign	
12	192010	2	• Cross recessed screw	
13		2	• Screw	
14	(940269)	4	• Screw	Obsolete part
15	960138	4	• Washer	
16	941905	4	• Spring washer	
17	955844	4	• Hexagon nut	
18	(940204)	2	• Cross recessed screw	Obsolete part
19		1	• Pin	
20		1	• Handle ball	
21		1	• Control arm	
22	(827756)	1	• Lock screw	Obsolete part
23		1	• Bearing	
24		1	• Lock screw	