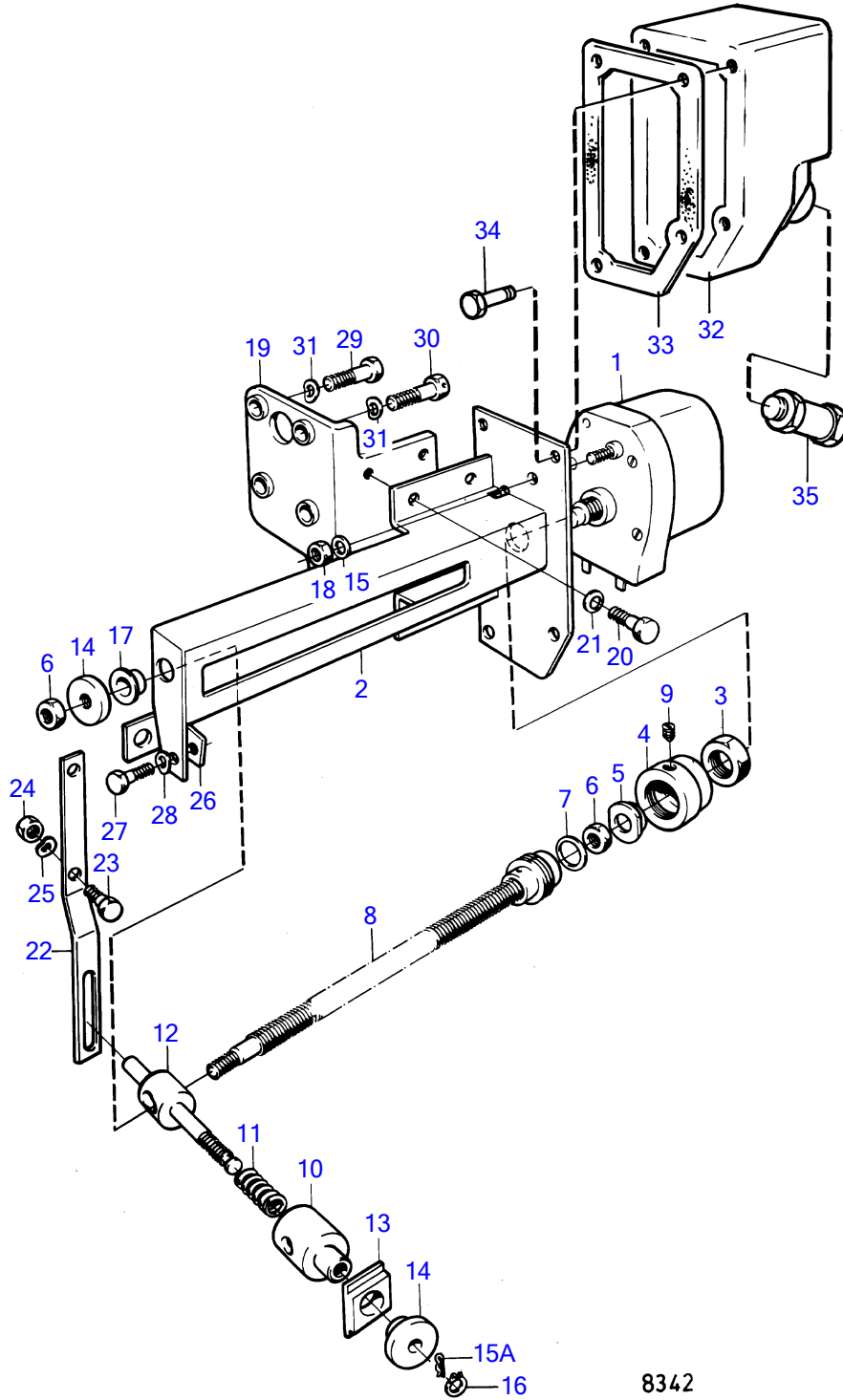


TAMD122A, TMD122A



8342

## TAMD122A, TMD122A

REF	PART NO.	QTY	DESCRIPTION	NOTES
1	843794	1	Engine	When reconditioning or when the carbons are to be replaced, use carbon brush kit 876001.
			• parts not sold separately	
2	843795	1	Retainer	
3	9520607	1	Hexagon nut	(843796)
4	843797	1	Nut	
5	843798	1	Dog	
6	955781	2	Hexagon nut	
7	949938	1	Spring washer	
8	843799	1	Adjusting screw	
9	945647	1	Set screw	
10	(843802)	1	Sleeve	Obsolete part
11	813945	1	Spring	
12	843803	1	Piston	
13	843804	1	Bushing	
14	843805	2	Control button	
15	940090	1	Washer	
15A	907824	1	Split pin	
16	951667	1	E-circlip	
17	843806	1	Bushing	
18	955780	1	Hexagon nut	
19	843807	1	Bracket	
20	955269	4	Hexagon screw	
21	941906	4	Spring washer	
22	843808	1	Intermediate lever	
23	955273	2	Hexagon screw	
24	955781	1	Hexagon nut	
25	941906	2	Spring washer	
26	843809	1	Attaching plate	
27	955269	1	Hexagon screw	
28	941906	1	Spring washer	
29	955274	3	Hexagon screw	
30	844540	1	Screw	
31	941906	4	Spring washer	
32	843889	1	Cover	Classified alt
33	843890	1	Gasket	Classified alt
34	955271	4	Hexagon screw	Classified alt
35	881191	1	Grommet	Classified alt