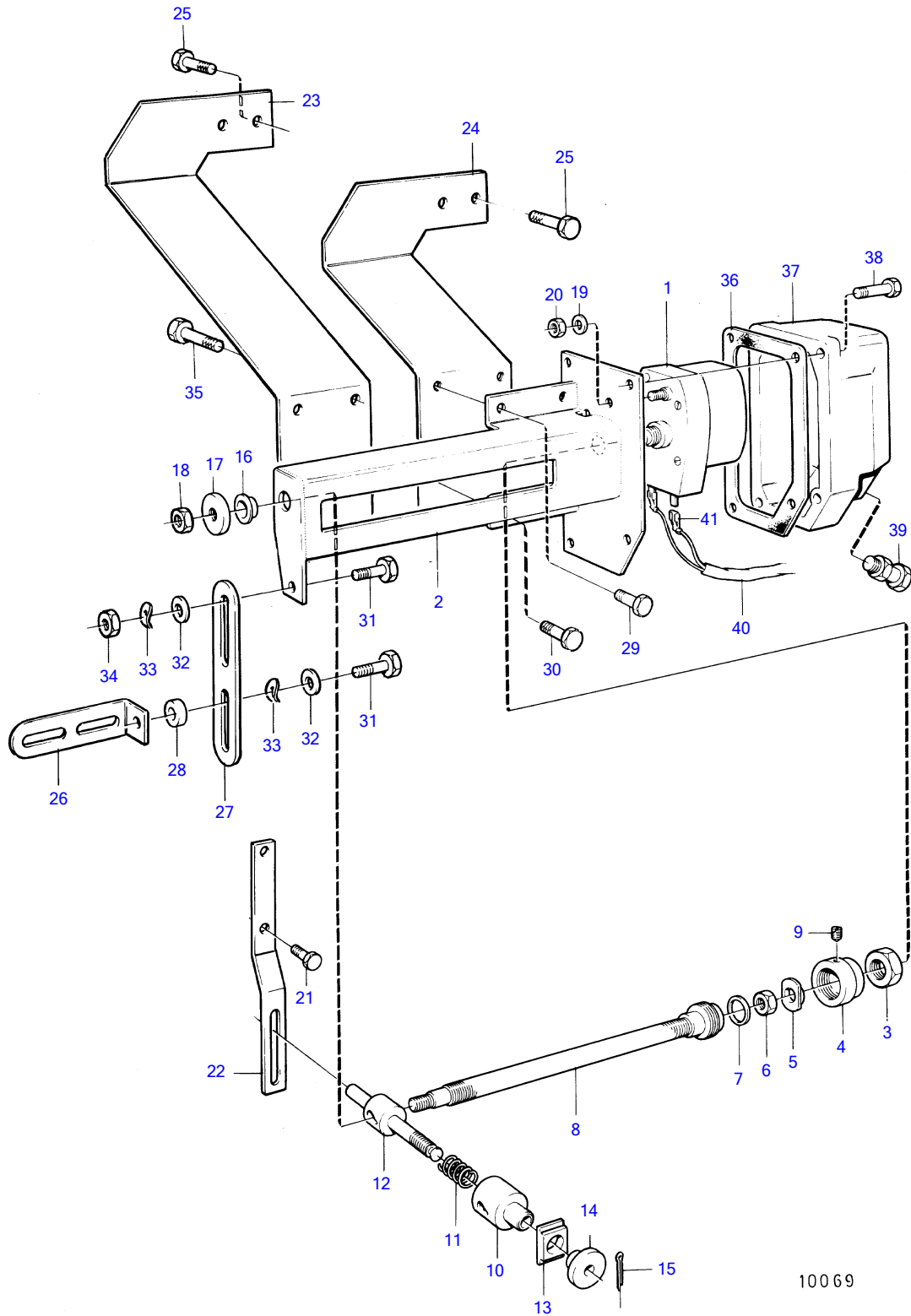


TAMD122A, TMD122A



10069

TAMD122A, TMD122A

REF	PART NO.	QTY	DESCRIPTION	NOTES
1	843794	1	Engine	
2	843795	1	Retainer	
3	9520607	1	Hexagon nut	(843796)
4	843797	1	Nut	
5	843798	1	Dog	
6	955781	1	Hexagon nut	
7	949938	1	Spring washer	
8	843799	1	Adjusting screw	
9	945647	1	Set screw	
10	(843802)	1	Sleeve	Obsolete part
11	813945	1	Spring	
12	843803	1	Piston	
13	843804	1	Bushing	
14	843805	1	Control button	
15	907824	1	Split pin	
16	843806	1	Bushing	
17	843805	1	Control button	
18	955781	1	Hexagon nut	
19	940090	1	Washer	
20	955780	1	Hexagon nut	
21	967949	2	Flange screw	(965175)
22	864247	1	Intermediate lever	
23	(864249)	1	Bracket	Obsolete part
24	(864248)	1	Bracket	Obsolete part
25	967949	4	Flange screw	(965175)
26	1130611	1	Bracket	
27	965534	1	Bracket	
28	807183	1	Spacer sleeve	
29	967949	2	Flange screw	(965175)
30	946544	2	Flange screw	
31	955513	2	Hexagon screw	
32	960140	2	Washer	
33	949607	2	Spring washer	
34	955825	1	Hexagon nut	
35	947107	1	Flange screw	
36	843890	1	Gasket	
37	843889	1	Cover	
38	955271	4	Hexagon screw	
39	881191	1	Grommet	
40		X	Cable trunk	
41		X	cables and terminals	

7746700-27-2277

10069

Upd:2012-02-22

TAMD122A, TMD122A, TAMD122P-A, TAMD122P-B, TAMD122P-C

VOLVO
PENTA