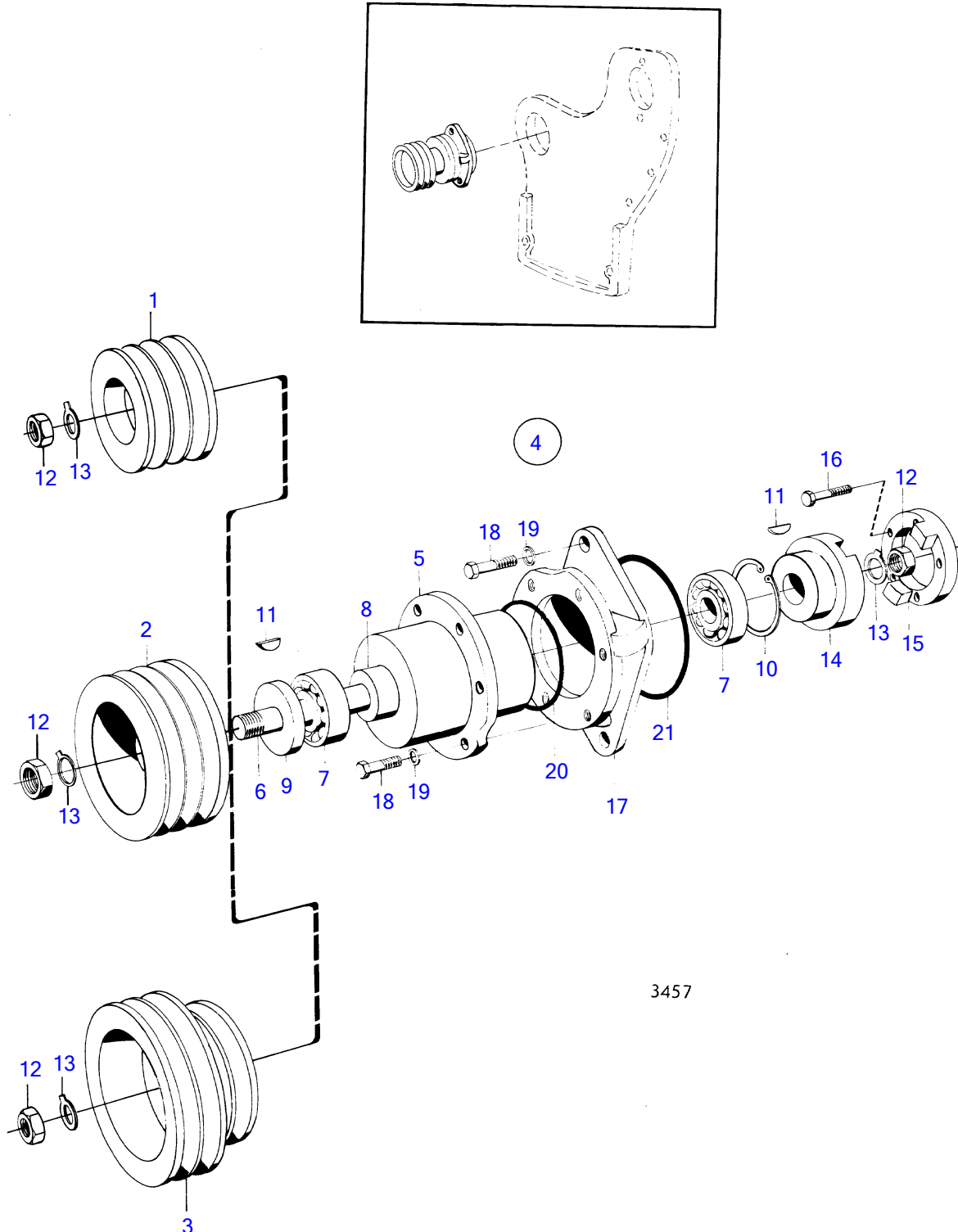


TAMD122A, TMD122A



3457

TAMD122A, TMD122A

REF	PART NO.	QTY	DESCRIPTION	NOTES
1	821065	1	Pulley	D=116mm
2	(821064)	1	Pulley	D=140mm, Obsolete part
3	823116	1	Pulley	D=190mm/D=150mm
4			Drive outlet	
5	821067	1	• Bearing housing	
6	821068	1	• Shaft	
7	11013	2	• Ball bearing	
8	821072	1	• Spacer sleeve	
9	958858	1	• Sealing ring	(958993)
10	914533	1	• Snap ring	
11	942406	2	• Woodruff key	
12	955860	2	• Hexagon nut	
13	942735	2	• Tab washer	
14	820960	1	Dog clutch	
15	821071	1	Companion flange, water pump	
16	955513	4	Hexagon screw	
17	820697	1	Spacer	
18	940115	6	Hexagon screw	
19	942336	6	Spring washer	
20	925095	1	O-ring	
21	420213	1	Seal	