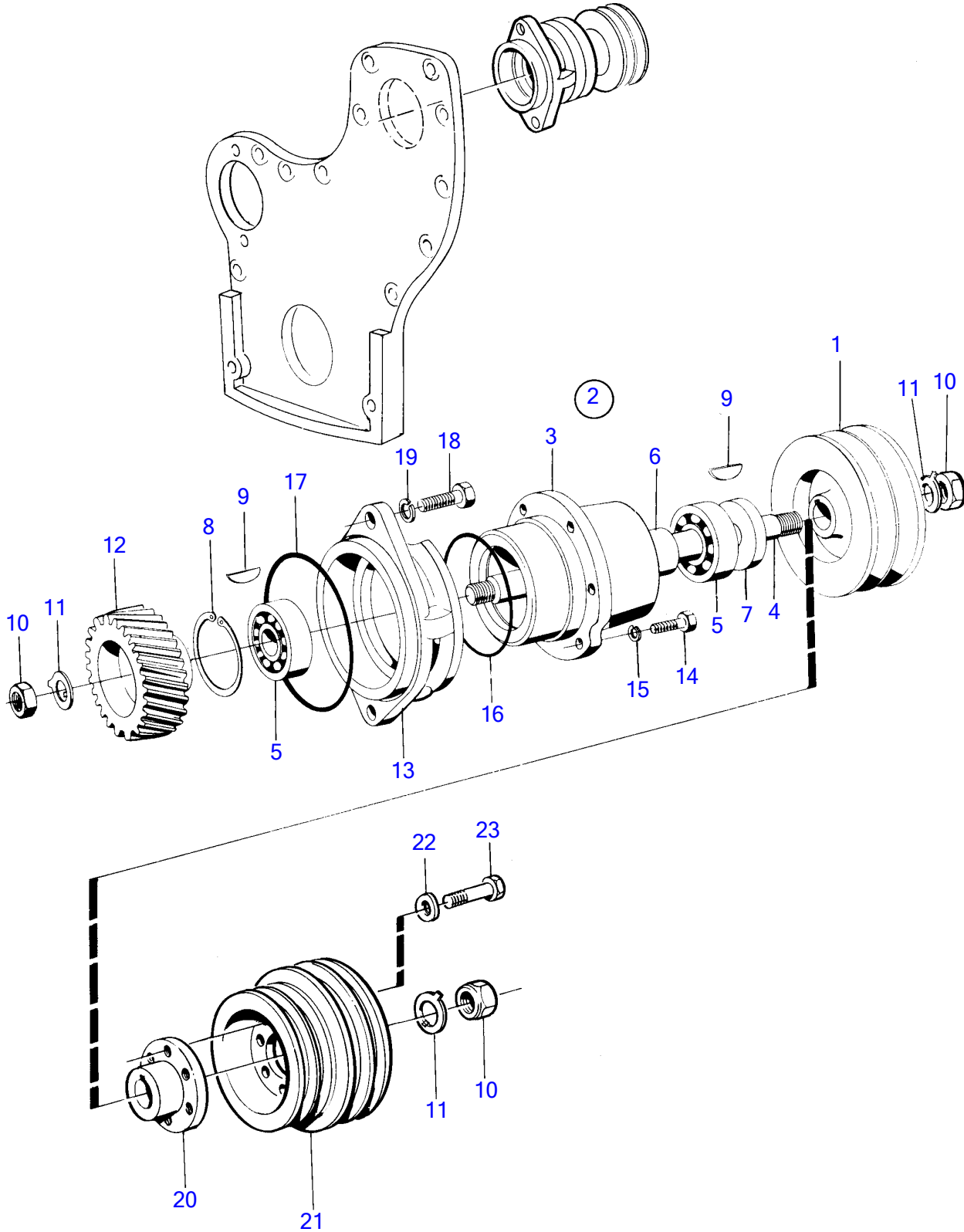


TAMD122A, TMD122A, TAMD122P-A, TAMD122P-B, TAMD122P-C



TAMD122A, TMD122A, TAMD122P-A, TAMD122P-B, TAMD122P-C

REF	PART NO.	QTY	DESCRIPTION	NOTES
1	(821182)	1	Pulley	Obsolete part
2		1	Drive outlet	
3	821067	1	• Bearing housing	
4	821068	1	• Shaft	
5	11013	2	• Ball bearing	
6	821072	1	• Spacer sleeve	
7	958858	1	• Sealing ring	
8	914533	1	• Snap ring	
9	942406	2	• Woodruff key	
10	955860	2	• Hexagon nut	
11	942735	2	• Tab washer	
12	821090	1	Gear	
13	821091	1	Spacer	
14	940114	4	Hexagon screw	
15	942336	4	Spring washer	
16	925095	1	O-ring	
17	420213	1	Seal	
18	940115	2	Hexagon screw	
19	942336	2	Spring washer	
20	3826060	1	Hub	Late type
21	3826059	1	Pulley	Late type
22	955894	6	Washer	Late type
23	940135	6	Hexagon screw	Late type