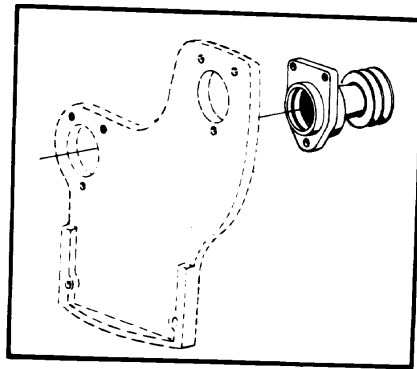
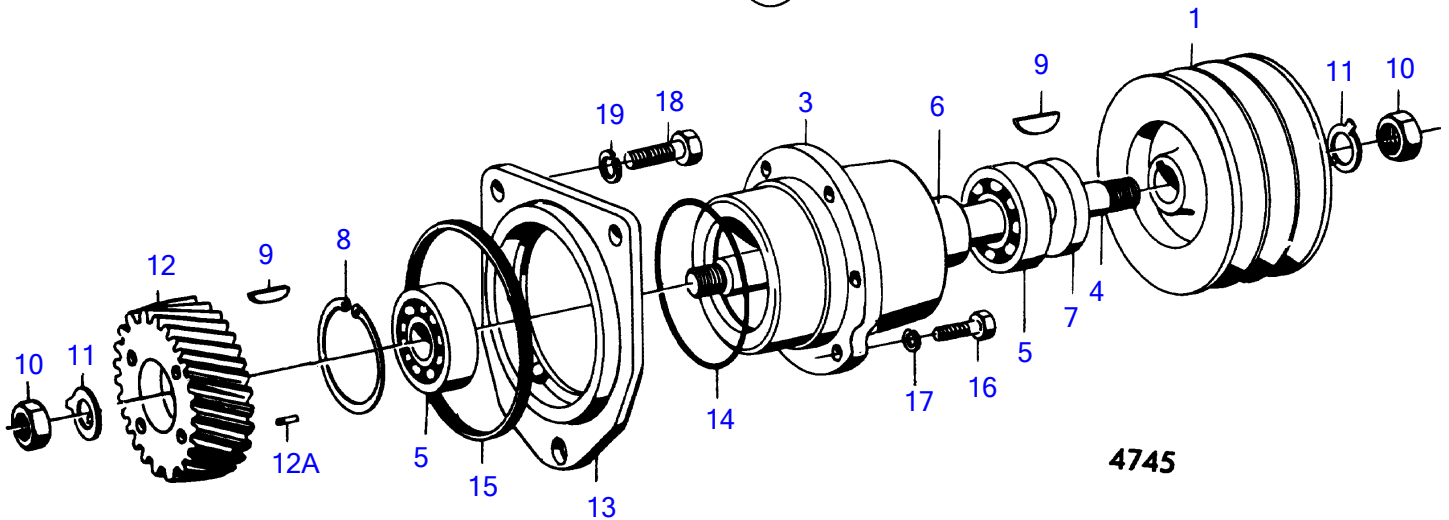


TAMD122A, TMD122A, TAMD122P-A, TAMD122P-B, TAMD122P-C



2



4745

TAMD122A, TMD122A, TAMD122P-A, TAMD122P-B, TAMD122P-C

REF	PART NO.	QTY	DESCRIPTION	NOTES
1	821065	1	Pulley	D=116mm
2		1	Drive outlet	
3	821067	1	• Bearing housing	
4	821068	1	• Shaft	
5	11013	2	• Ball bearing	
6	821072	1	• Spacer sleeve	
7	958858	1	• Sealing ring	
8	914533	1	• Snap ring	
9	942406	2	• Woodruff key	
10	955860	2	• Hexagon nut	
11	942735	2	• Tab washer	
12	820637	1	Gear	
12A	950564	1	Pin	
13	820695	1	Spacer	
14	925095	1	O-ring	
15	975610	1	O-ring	
16	940114	3	Hexagon screw	
17	942336	3	Spring washer	
18	955576	3	Hexagon screw	
19	941911	3	Spring washer	