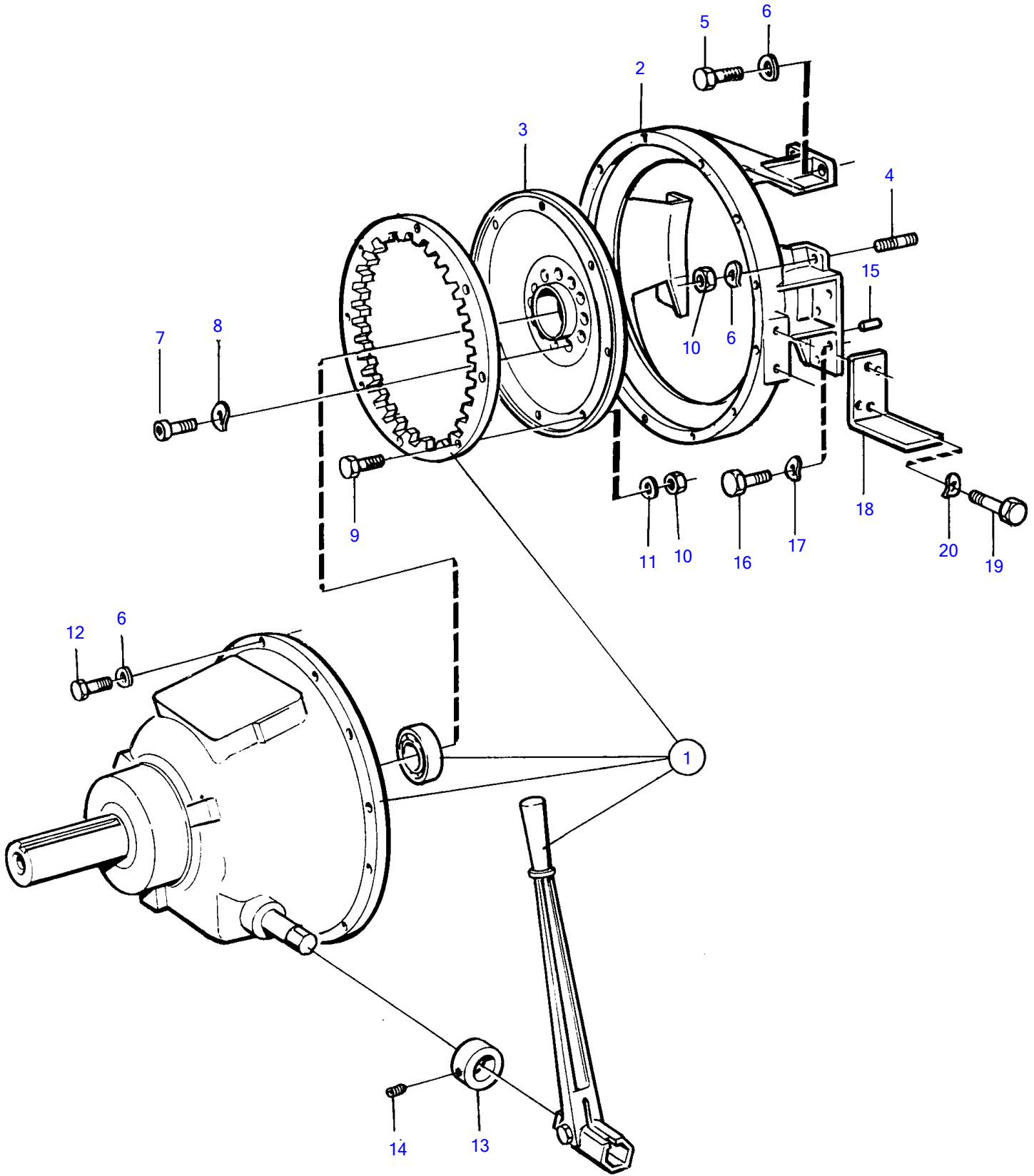


TAMD122A, TMD122A



16115

TAMD122A, TMD122A

REF	PART NO.	QTY	DESCRIPTION	SEE SEC.	NOTES
1	845705	1	Clutch		SP-211
			.		
			.	2446	
2	837468	1	Power take-off		
3	842038	1	Companion flange		
4	953282	6	Stud		
5	955535	2	Hexagon screw		
6	942336	20	Spring washer		
7	959188	12	Hex. socket screw		
8	941909	12	Spring washer		
9	955536	8	Hexagon screw		
10	955827	8	Hexagon nut		
11	942336	8	Spring washer		
12	940115	12	Hexagon screw		
13	803612	2	Stop ring		
14	946847	4	Set screw		
15	941510	2	Pin		
16	955540	8	Hexagon screw		
17	942336	8	Spring washer		
18	(837464)	2	Bracket		Obsolete part
19	940115	8	Hexagon screw		
20	942336	8	Spring washer		