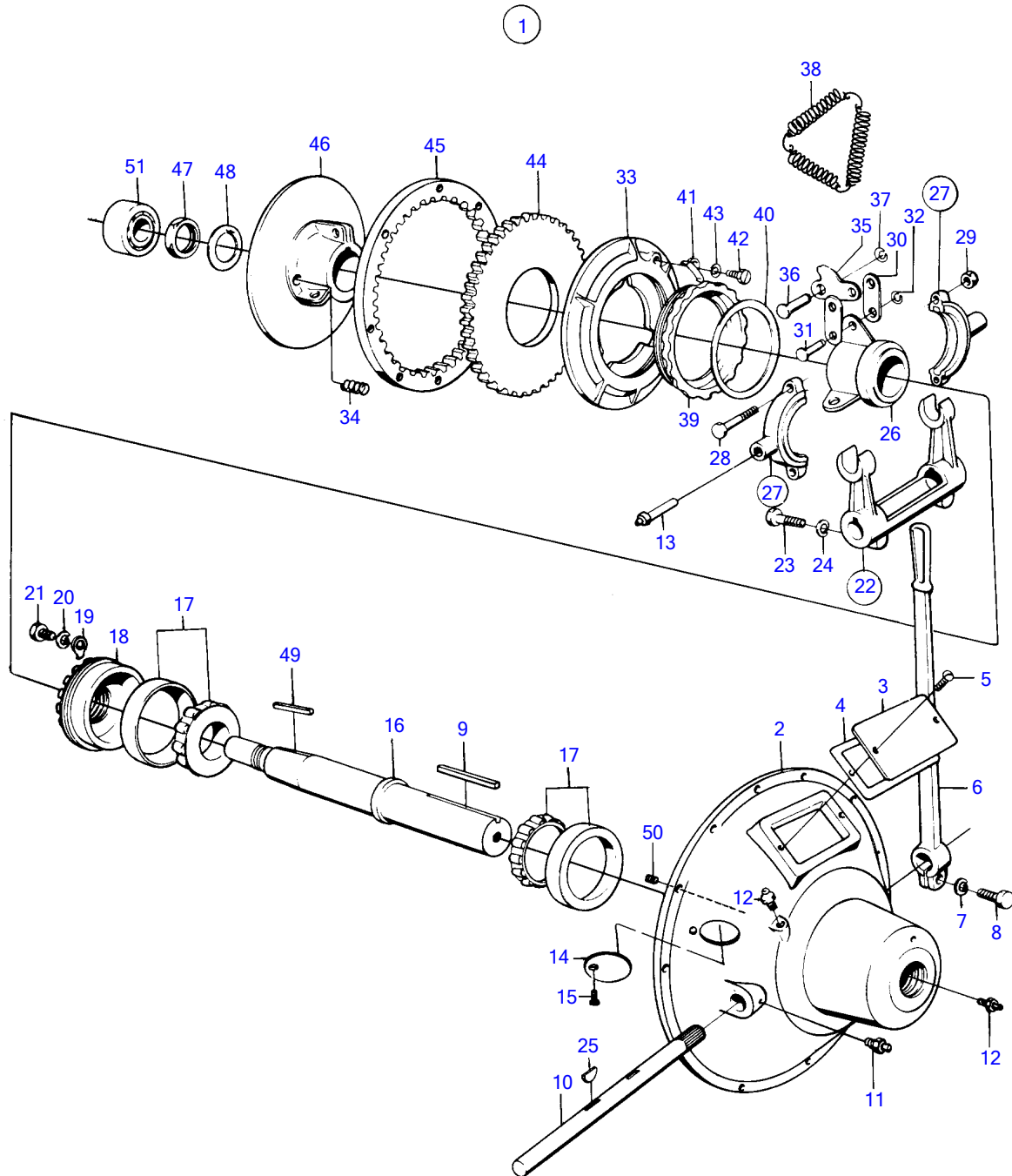


TAMD122A, TMD122A



2369

TAMD122A, TMD122A

REF	PART NO.	QTY	DESCRIPTION	NOTES
1	820802	1	Power take-off	PTA 41025
2		1	• Housing	
3	(815347)	1	• Instruction	Obsolete part
4	(815334)	1	• Gasket	Obsolete part
5	950044	2	• Cross recessed screw	
6		1	• Control lever	
7	942336	1	• • Spring washer	
8	940162	1	• • Hexagon screw	
9	(815259)	1	• Key	Obsolete part
10	(827509)	1	• Control shaft	Obsolete part
11	(819353)	2	• Lubricator	Obsolete part
12	(827632)	2	• Lubricator	Obsolete part
13	815387	1	• Fitting	
14		1	• Lock	
15	(950020)	1	• Cross recessed screw	Obsolete part
16	(815331)	1	• Drive	Obsolete part
17	815329	2	• Bearing	
18	(815325)	1	• Bearing	Obsolete part
19	(815316)	1	• Plate	Obsolete part
20	941907	1	• Spring washer	
21	940113	1	• Hexagon screw	
22	(815324)	1	• Release fork	Obsolete part
23	955535	2	• • Hexagon screw	
24	942336	2	• • Spring washer	
25	(815320)	2	• Woodruff key	Obsolete part
26	815375	1	• Engaging sleeve	
27	864617	1	• Throw-out bearing	
28	955662	2	• • Hexagon screw	
29	950373	2	• • Lock nut	
30	815371	6	• Link	
31	815361	6	• Pin	
32	815359	6	• Lock ring	
33	815385	1	• Plate	
34	815369	3	• Spring	
35	815370	3	• Intermediate lever	
36	815362	3	• Pin	
37	815358	3	• Lock ring	
38	815382	1	• Spring	
39	825593	1	• Nut	
40	825594	1	• Washer	
41	815378	1	• Lock	
42	(827520)	1	• Screw	Obsolete part
43	940155	1	• Toothed washer	
44	815354	1	• Disc	
45	815353	1	• Gear ring	
46	815363	1	• Clutch	
47	815327	1	• Nut	
48	815328	1	• Washer	
49	815396	1	• Key	
50	(815330)	1	• Set screw	Obsolete part
51	815338	1	• Bearing	

7746700-41-2380

2369

Upd:2012-02-22

TAMD122A, TMD122A, TAMD122P-A, TAMD122P-B, TAMD122P-C

VOLVO
PENTA