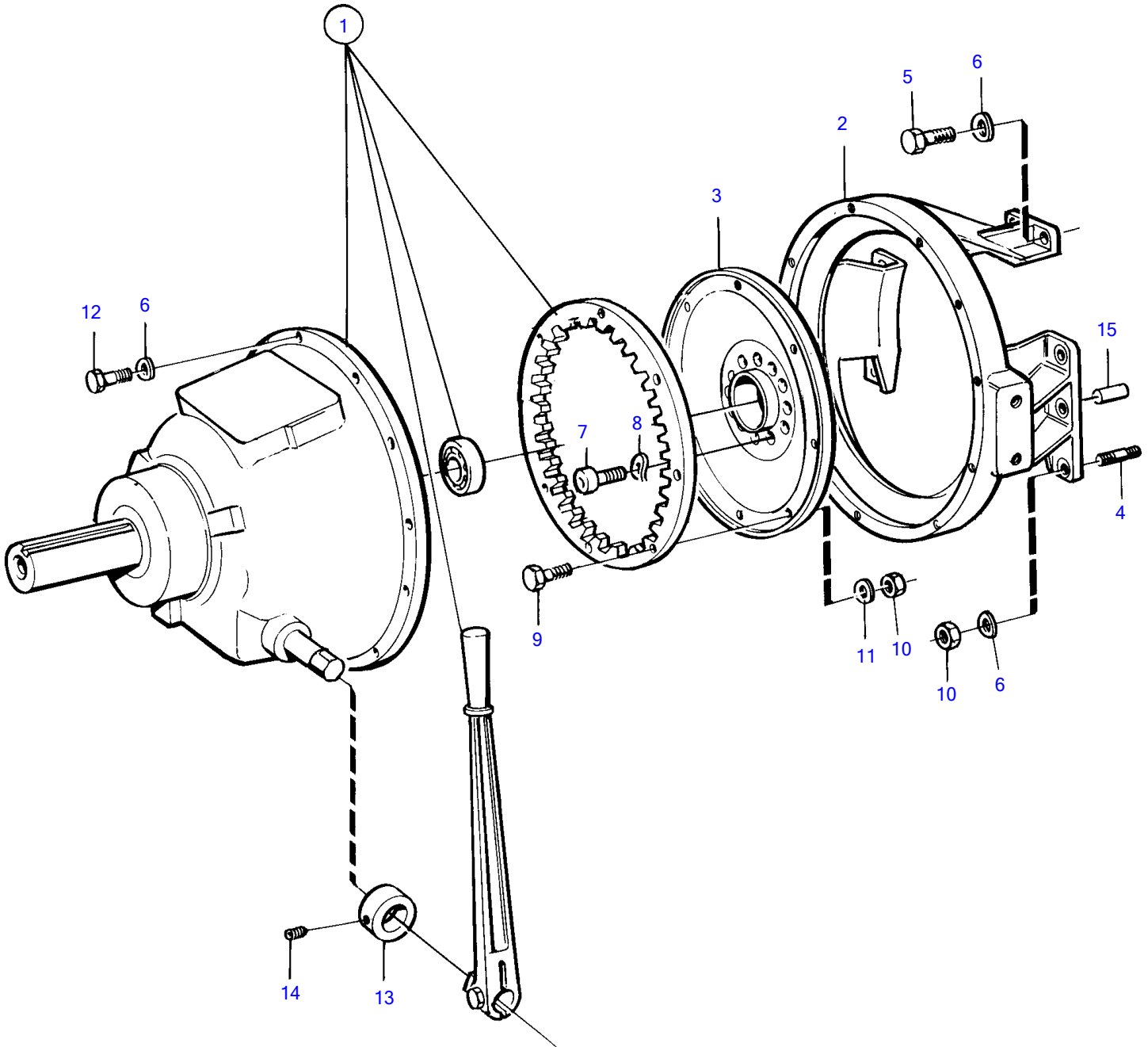


TAMD122A, TMD122A



11814

TAMD122A, TMD122A

| REF | PART NO. | QTY | DESCRIPTION | SEE SEC. | NOTES |
|-----|----------|-----|-------------------|----------|---------------|
| 1 | 820802 | 1 | Power take-off | | |
| | | | • Ball bearing | | |
| | | | • | | |
| | | | • | 2380 | |
| 2 | (823121) | 1 | Bell housing | | Obsolete part |
| 3 | 823080 | 1 | Companion flange | | |
| 4 | 953282 | 6 | Stud | | |
| 5 | 955535 | 2 | Hexagon screw | | |
| 6 | 942336 | 20 | Spring washer | | |
| 7 | (956610) | 12 | Hex. socket screw | | Obsolete part |
| 8 | 941909 | 12 | Spring washer | | |
| 9 | 955536 | 8 | Hexagon screw | | |
| 10 | 955827 | 14 | Hexagon nut | | |
| 11 | 955950 | 8 | Toothed washer | | |
| 12 | 940115 | 12 | Hexagon screw | | |
| 13 | 803612 | 2 | Stop ring | | |
| 14 | | 4 | Set screw | | |
| 15 | 941510 | 2 | Pin | | |