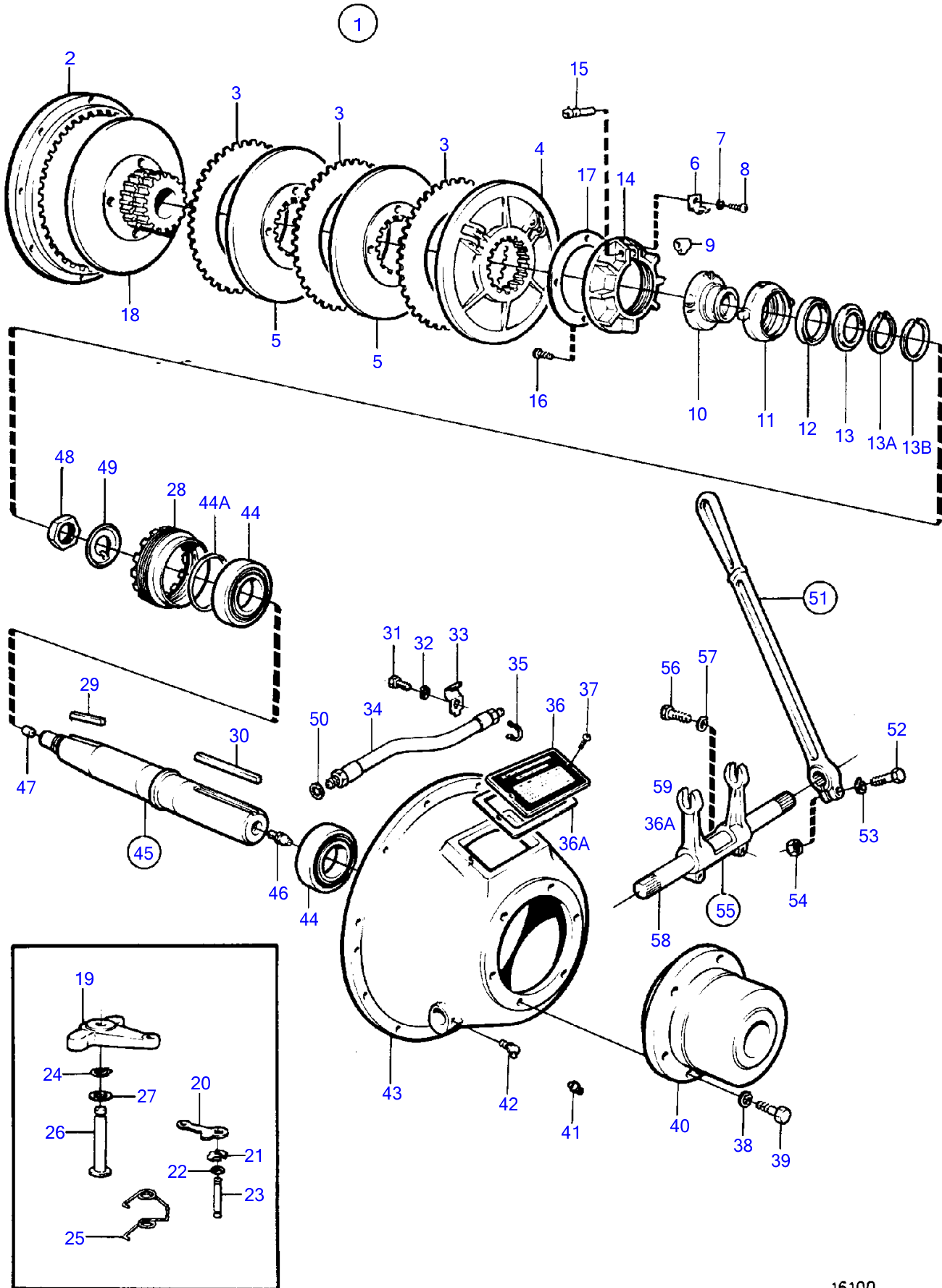


TAMD122A, TMD122A



16100

Upd:2012-02-22

16100

7746700-41-890

## TAMD122A, TMD122A

REF	PART NO.	QTY	DESCRIPTION	NOTES
1	862734	1	Friction clutch	Replaced by PT143 no 3841933., AP314, ratio 1:1
	(3841933)	1	Power take-off	Obsolete part
2	(847729)	1	• Drive ring	Obsolete part
3	(862582)	3	• Disc	Obsolete part
4	(846531)	1	• Pressure plate	Obsolete part
5	(846560)	2	• Spacer	Obsolete part
6	846525	1	• Lock spring	
7	846528	1	• Spring washer	
8	846527	1	• Screw	
9		1	• Lock	
10	847725	1	• Sleeve	
11	(847724)	1	• Bearing housing	Obsolete part
12	(847723)	1	• Bearing	Obsolete part
13	847726	1	• Retainer	
13A	847728	1	• Striker plate	
13B	847727	1	• Striker plate	
14	(849982)	1	• Adjusting ring	Obsolete part
15	(846506)	1	• • Lock screw	Obsolete part
16	(846530)	3	• • Screw	Obsolete part
17	(846529)	2	• • Adjusting plate	Obsolete part
18	846561	1	• Drive plate	
19	(846532)	4	• Release arm	Obsolete part
20	(846537)	8	• Link	Obsolete part
21	846501	16	• Striker plate	Replaced by 1ea pin 865059, 2ea splitpin and 2ea washer 865052.
22	(846502)	16	• Washer	Obsolete part
23	846538	8	• Pin	Replaced by 1ea pin 865059, 2ea splitpin and 2ea washer 865052.
24		8	• Striker plate	
25	(846536)	4	• Spring	Obsolete part
26	846533	4	• Pin	Replaced by 1ea pin 865056, 2 ea splitpin 865057 and 2 ea washer 846534.
27	846534	8	• Washer	
28	(846553)	1	• Retainer	Obsolete part
29	847735	1	• Key	
30	(863021)	1	• Key	Obsolete part
31	(847737)	1	• Screw	Obsolete part
32	941907	1	• Spring washer	
33	(846487)	1	• Striker plate	Obsolete part
34	(846488)	1	• Lubricating hose	Obsolete part
35	846493	1	• Lock ring	
36		1	• Lock	
36A		1	• Gasket	
37		2	• Screw	
38		6	• Washer	
39	(847730)	6	• Screw	Obsolete part
40	(847731)	1	• Bearing housing	Obsolete part
41		1	• Lubricating nipple	
42	846497	2	• Lubricating nipple	
43		1	• Housing	
44	183704	2	• Roller bearing	(847732)
44A	(847736)	1	• Lock ring	Obsolete part
45	(863015)	1	• Shaft	Obsolete part
46		1	• Lubricating nipple	
47		1	• Screw	
48	(847733)	1	• Nut	Obsolete part
49	847734	1	• Lock washer	
50	(846557)	1	• Lock washer	Obsolete part
51	(846508)	1	• Hand lever	Obsolete part
52		1	• • Screw	
53		1	• • Washer	
54	(846510)	1	• • Nut	Obsolete part
55	(847916)	1	• Fork	Obsolete part
56		2	• • Bolt	
57		2	• • Washer	
58	6603896	1	• Shaft	

TAMD122A, TMD122A

REF	PART NO.	QTY	DESCRIPTION	NOTES
59	(6603893)	2	• Key	Obsolete part

7746700-41-890

16100

Upd:2012-02-22

TAMD122A, TMD122A, TAMD122P-A, TAMD122P-B, TAMD122P-C

**VOLVO  
PENTA**