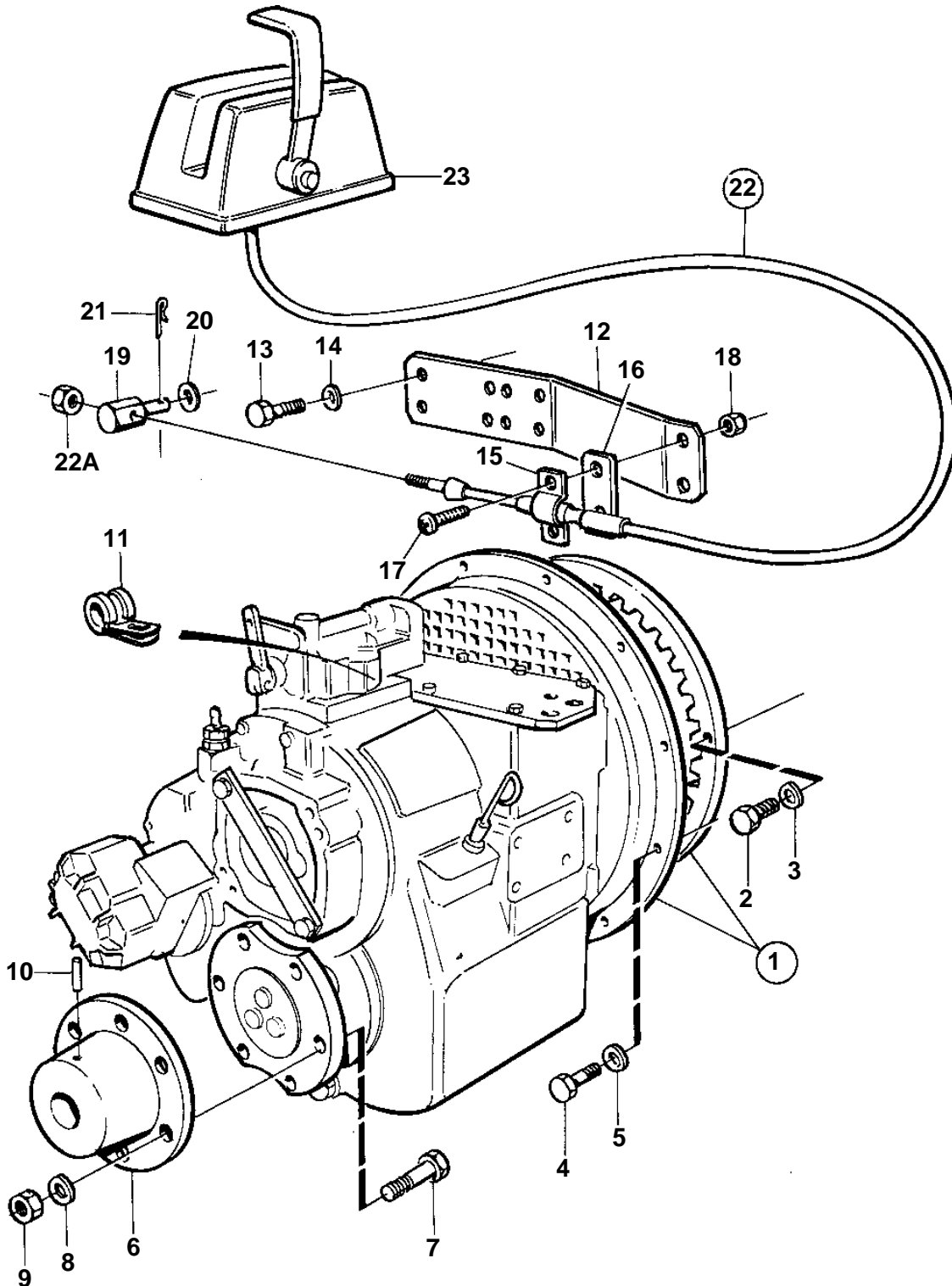


TAMD103A-A



16074

TAMD103A-A

REF	PART NO.	QTY	DESCRIPTION	NOTES
1		1	Reversing gear	RATIO 2.04:1
		1	Reversing gear	RATIO 2.54:1
		1	Reversing gear	RATIO 3.28:1
			· Parts not sold separately	
2	955560	8	Hexagon screw	
3	940280	8	Spring washer	
4	940134	12	Hexagon screw	
5	941909	12	Spring washer	
6	844765	1	Clutch flange	
7	955764	8	Hexagon screw	
8		8	Washer	
9	950380	8	Lock nut	
10		2		
11	949746	1	Clamp	For cable, oil pressure sensor.
12	863123	1	Bracket	
13	955524	2	Hexagon screw	
14	941907	2	Spring washer	
15	21471054	1	Bracket	For control cable type 333.
	6853782	1	Cable clamp	For control cable type 443.
16	819068	1	Washer	
17	969408	2	6 point socket screw	
18	963104	2	Lock nut	
19	853217	1	Cube	
20	940191	1	Washer	
21	907824	1	Split pin	
22		X	Control cable	SEE GROUP 27
22A		1	· Nut	
23		X	Control	SEE GROUP 27