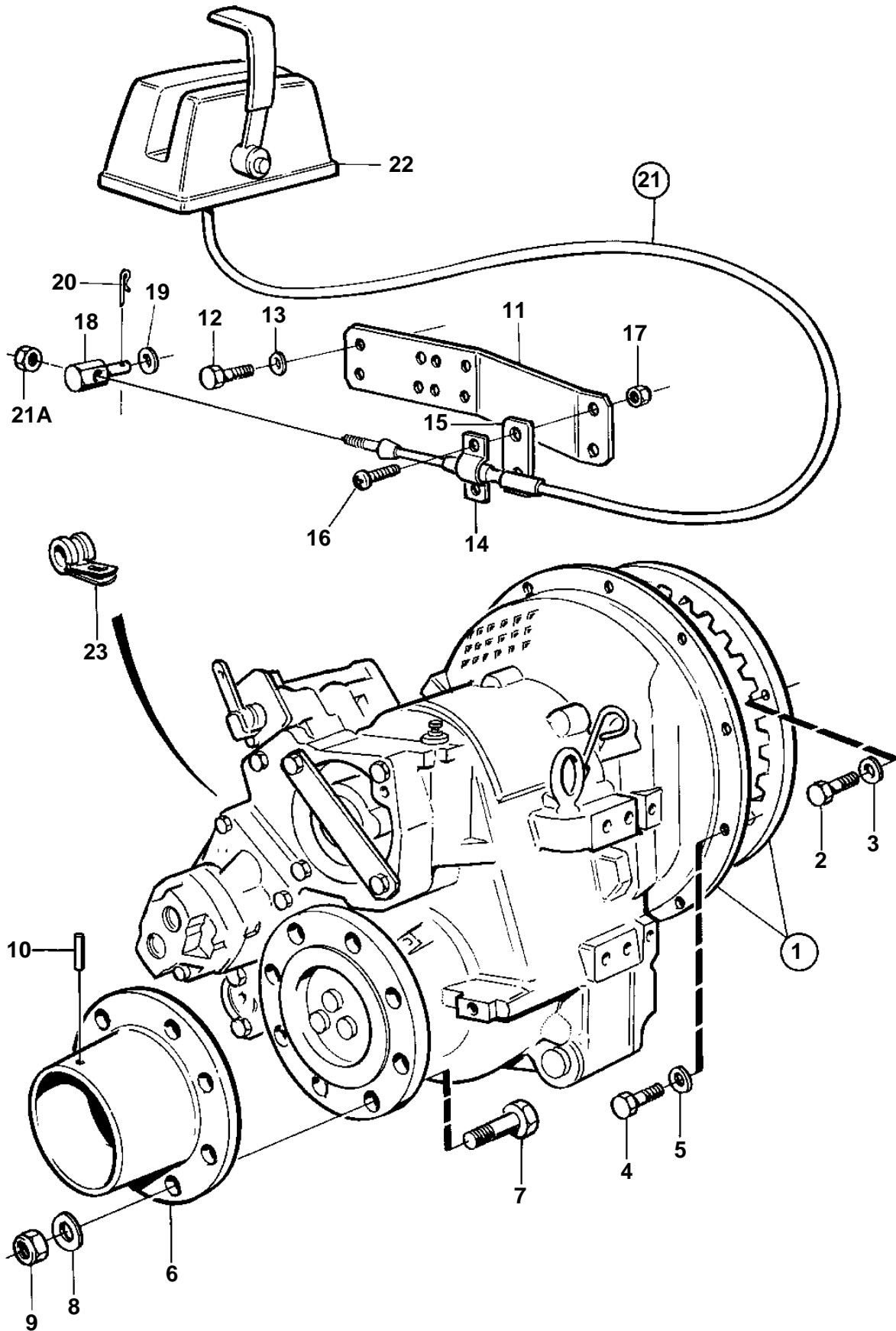


TAMD103A-A



15495

TAMD103A-A

REF	PART NO.	QTY	DESCRIPTION	NOTES
1		1	Reversing gear	RATIO 3.28:1
		1	Reversing gear	RATIO 3.43:1
		1	Reversing gear	RATIO 4.17:1
		1	Reversing gear	RATIO 4.59:1
		1	Reversing gear	RATIO 4.86:1
			· Parts not sold separately	
2	955560	8	Hexagon screw	
3	940280	8	Spring washer	
4	940160	10	Hexagon screw	L=38mm
	940116	2	Hexagon screw	L=25mm
5	941909	12	Spring washer	
6	844765	1	Clutch flange	
7	955764	8	Hexagon screw	
8		8	Washer	
9	950380	8	Lock nut	
10	965011	2	Pin	
11	863123	1	Bracket	
12	955524	2	Hexagon screw	
13	941907	2	Spring washer	
14	21471054	1	Bracket	For control cable type 333.
	6853782	1	Cable clamp	For control cable type 443.
15	819068	1	Washer	
16	956079	2	Cross recessed screw	
17	963104	2	Lock nut	
18	853217	1	Cube	
19	940191	1	Washer	
20	907824	1	Split pin	
21		X	Control cable	SEE GROUP 27
21A		1	· Nut	
22		X	Control	SEE GROUP 27
23	946834	1	Clamp	For cable, oil pressure sensor.