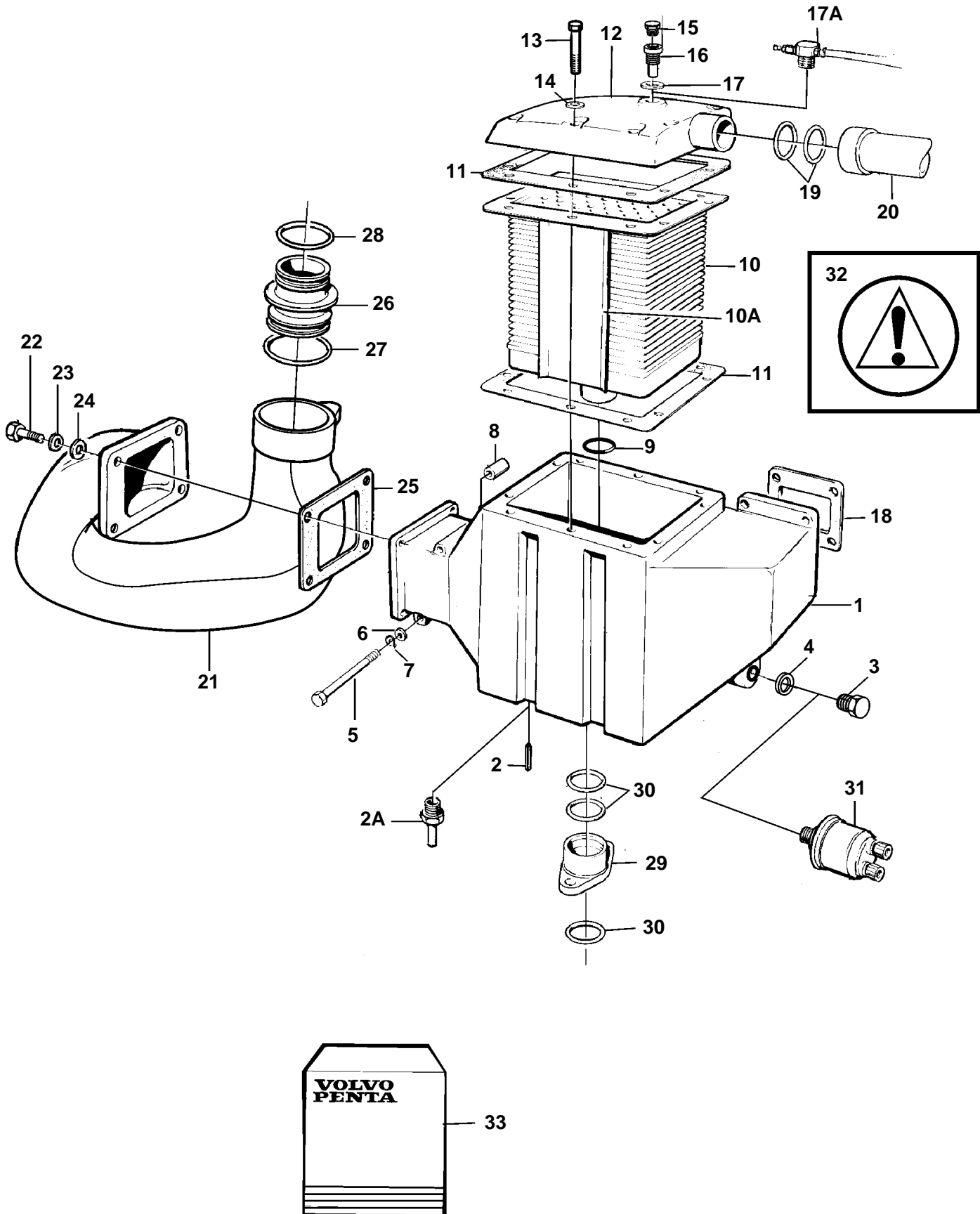


TAMD103A-A



TAMD103A-A

REF	PART NO.	QTY	DESCRIPTION	SEE SEC.	NOTES
1		1	Housing		REPLACED BY 876797
	876797	1	Housing		
2		1	· Spring pin		FOR 842392
2A	943513	1	· Nipple		FOR 876797
3	960632	1	Plug		
4	947624	1	Gasket		
5	959794	2	Hexagon screw		L=127mm
6	941907	2	Spring washer		
7	191172	2	Washer		
8	843028	2	Spacer sleeve		
9	1664473	1	O-ring		
10	866622	1	Insert		CLASSIFIED
10A	849147	1	Sealing plate		
11	3827399	2	Gasket		
12	843590	1	Cardboard tube		HEAT EX.
		1	Cover		K.C
13	959952	10	Hexagon screw		
14	941670	10	Washer		
15	823662	1	Plug		HEAT EX.
16	823661	1	Zinc anode		HEAT EX.
17	836169	1	Gasket		HEAT EX.
17A			Connector		K.C
18	862589	1	Gasket		
19	925092	2	O-ring		NOT K.C
20	3825372	1	Coolant pipe, heat exchanger		NOT K.C
21		1	Charge air pipe		
22	956570	4	Hex. socket screw		
23	941907	4	Spring washer		
24	955894	4	Washer		
25	864758	1	Gasket		
26	469510	1	Intermediate pipe, turbo		
27	469508	1	O-ring		
28	864722	1	Sealing ring		
29			Connector, Oil cooler	848	
30	925092	3	O-ring		
31		1	Pressure sensor, turbo		SEE GROUP 30
32	3827294	1	Decal		For hot areas., "WARNING"
33	876295	1	Gasket kit, intercooler		SEE GROUP 99