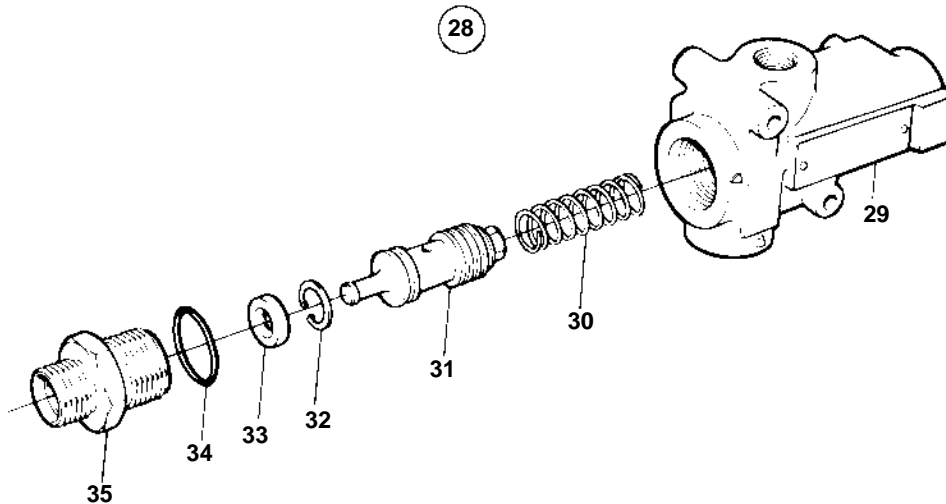
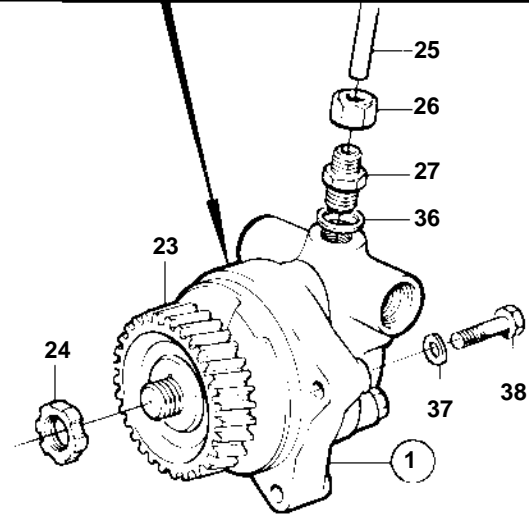
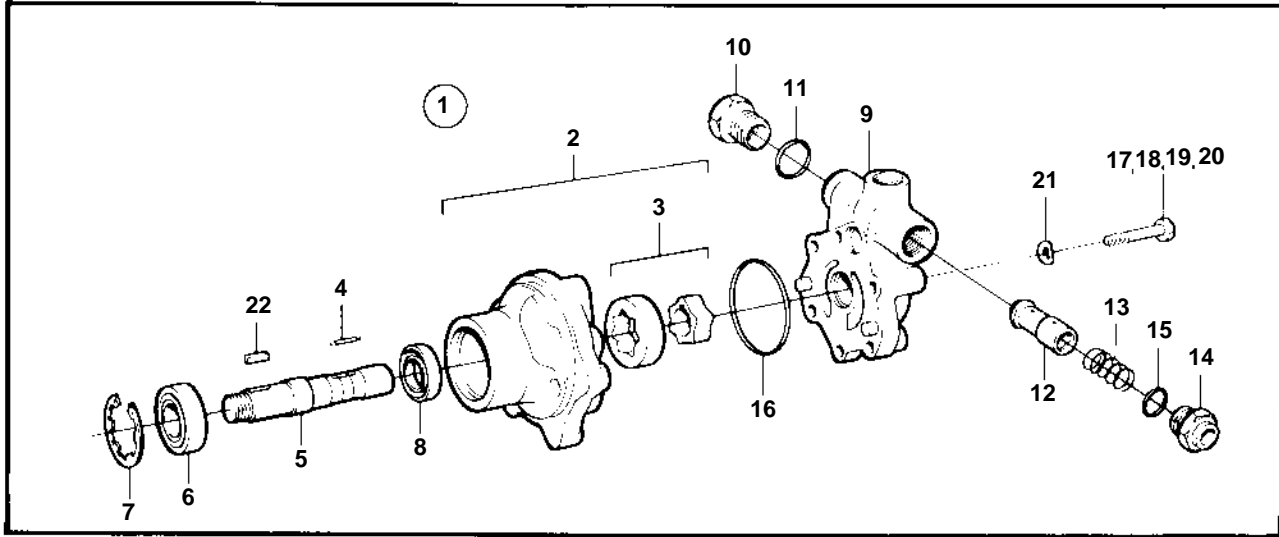


TAMD103A-A, TAMD103A-A AUX



TAMD103A-A, TAMD103A-A AUX

REF	PART NO.	QTY	DESCRIPTION	SEE SEC.	NOTES
1	823797	1	Hydraulic pump		
2		1	· Oil pump housing		
3		1	· · Rotor kit		
4		1	· Lock pin		
5	6631728	1	· Shaft		
6	181786	1	· Ball bearing		
7	323472	1	· Lock ring		
8	6631727	1	· Sealing ring		
9		1	· Cover		
10		1	· · Plug		
11	958229	1	· · O-ring		
12		1	· Sleeve		
13		1	· Spring		
14		1	· Nipple		
15	958229	1	· O-ring		
16	925256	1	· O-ring		
17	970948	1	· Hexagon screw		L=30mm
18	858753	2	· Screw		L=60mm
19	965185	2	· Flange screw		L=40mm
20	973246	1	· Hexagon screw		L=70mm
21	941908	6	· Spring washer		
22		1	· Key		
23	422087	1	Gear		
			· Bulletin 45-01	45-01-EN	Timing Gears, 71, 100, 121
23		1	Gear, nitrocarburized		ALT
			· Bulletin 45-01	45-01-EN	Timing Gears, 71, 100, 121
24	346918	1	Nut		
25		1	Inlet pipe		
26	4910594	1	Nut		
27		1	Nipple		
28		1	Control valve		
29		1	· Housing		
30		1	· Spring		
31		1	· Piston		
32		1	· Lock ring		
33		1	· Washer		
34		1	· Sealing ring		
35		1	· Nipple		
36	947628	1	Gasket		
37	942336	2	Spring washer		
38	955535	2	Hexagon screw		