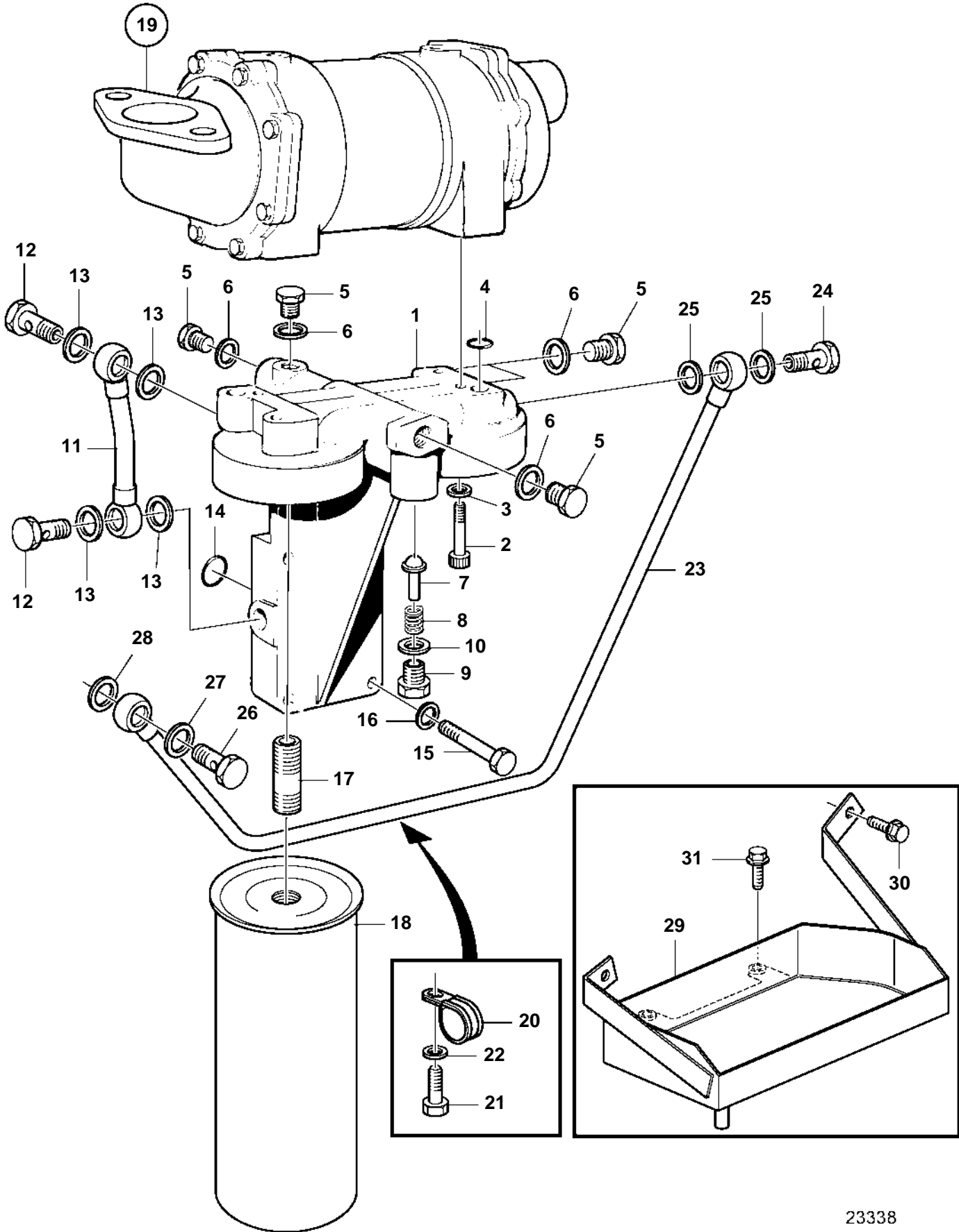


TAMD103A-A, TAMD103A-A AUX



TAMD103A-A, TAMD103A-A AUX

| REF | PART NO. | QTY | DESCRIPTION | SEE SEC. | NOTES |
|-----|----------|-----|--------------------|----------|------------------------|
| 1 | 843528 | 1 | Bracket | | |
| 2 | 956572 | 4 | Hex. socket screw | | |
| 3 | 11992 | 4 | Gasket | | |
| 4 | 949656 | 2 | O-ring | | |
| 5 | 914391 | 6 | Plug | | |
| 6 | 976930 | 6 | Gasket | | |
| 7 | 471085 | 1 | Valve cone | | |
| 8 | 466653 | 1 | Compression spring | | |
| 9 | 466624 | 1 | Plug | | |
| 10 | 18677 | 1 | Gasket | | |
| 11 | 842831 | 1 | Tube | | |
| 12 | 191157 | 2 | Hollow screw | | |
| 13 | 947627 | 4 | Gasket | | |
| 14 | 949657 | 2 | O-ring | | |
| 15 | 955537 | 4 | Hexagon screw | | |
| 16 | 942336 | 4 | Spring washer | | |
| 17 | 466623 | 2 | Nipple | | |
| 18 | 466634 | 2 | Oil filter | | ALT |
| | 847741 | 2 | Oil filter | | ALT, SHORT TYPE |
| 19 | | 1 | Oil cooler, engine | 848 | |
| 20 | 952627 | 1 | Clamp | | |
| 21 | 940100 | 1 | Hexagon screw | | |
| 22 | 941906 | 1 | Spring washer | | |
| 23 | 864369 | 1 | Delivery pipe | | |
| 24 | 190714 | 1 | Hollow screw | | |
| 25 | 947624 | 2 | Gasket | | |
| 26 | 942007 | 1 | Hollow screw | | |
| 27 | 947624 | 1 | Gasket | | |
| 28 | 942703 | 1 | Gasket | | |
| 29 | 3835800 | 1 | Spill plate | | ONLY CLASSIFIED ENGINE |
| 30 | 956572 | 2 | Hex. socket screw | | |
| 31 | 942624 | 1 | Flange screw | | |