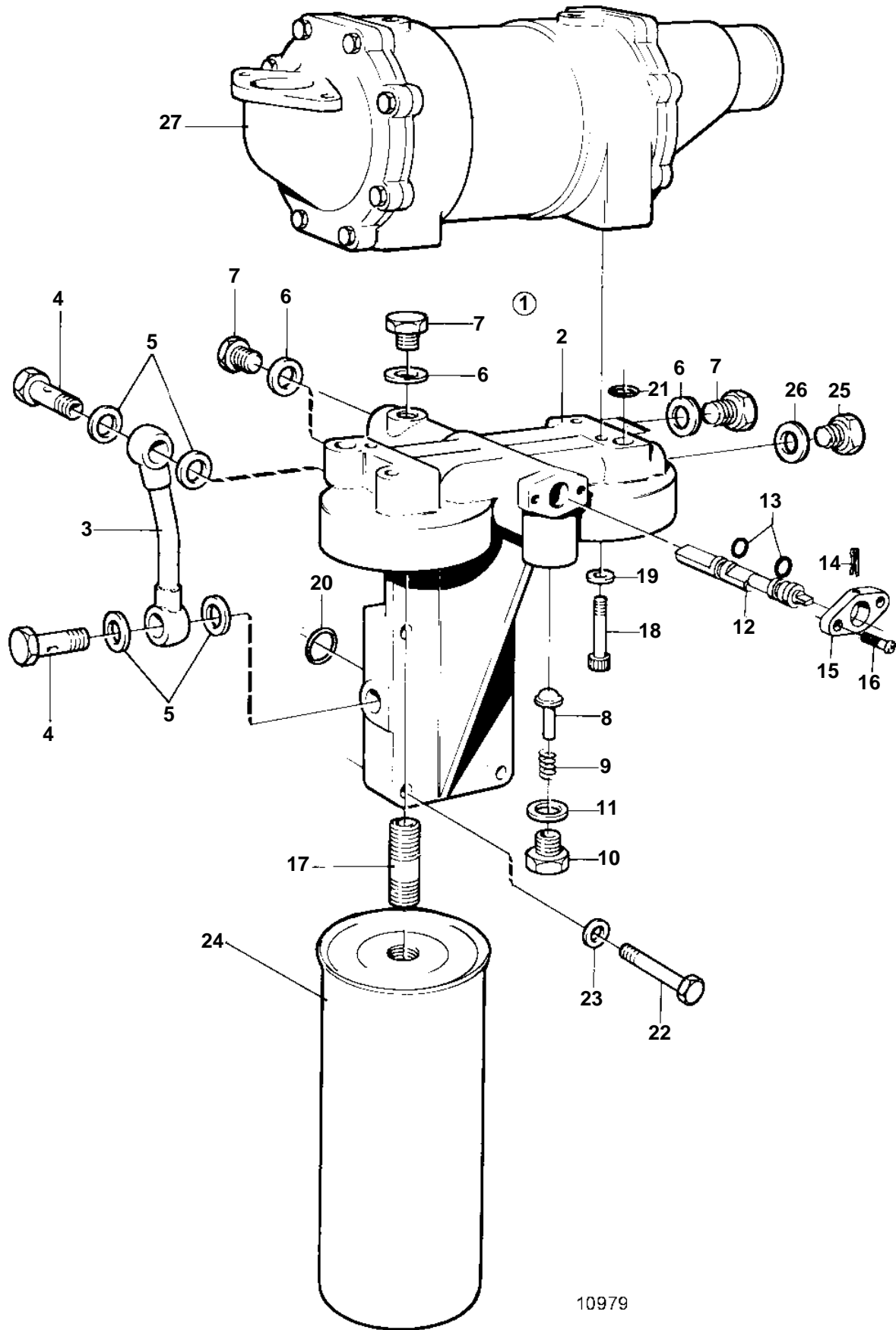


TAMD103A-A



10979

TAMD103A-A

REF	PART NO.	QTY	DESCRIPTION	SEE SEC.	NOTES
1	844498	1	Bracket		
2	844497	1	· Bracket		
3	842831	1	· Tube		
4	191157	2	· Hollow screw		
5	947627	4	· Gasket		
6	947623	5	· Gasket		
7	914391	5	· Plug		
8	471085	1	· Valve cone		
9	466653	1	· Compression spring		
10	466624	1	· Plug		
11	18677	1	· Gasket		
12	824198	1	· Valve peg		
13	943177	2	· O-ring		
14	907868	1	· Split pin		
15	824195	1	· Flange		
16		2	· Cross recessed screw		
17	466623	2	· Nipple		
18	956572	4	Hex. socket screw		
19	11992	4	Gasket		
20	949657	2	O-ring		
21	949656	2	O-ring		
22	955537	4	Hexagon screw		
23	942336	4	Spring washer		
24	466634	2	Oil filter		Std
	478736	2	Oil filter		
25	960632	1	Plug		
26	947624	2	Gasket		
27		1	Oil cooler	848	