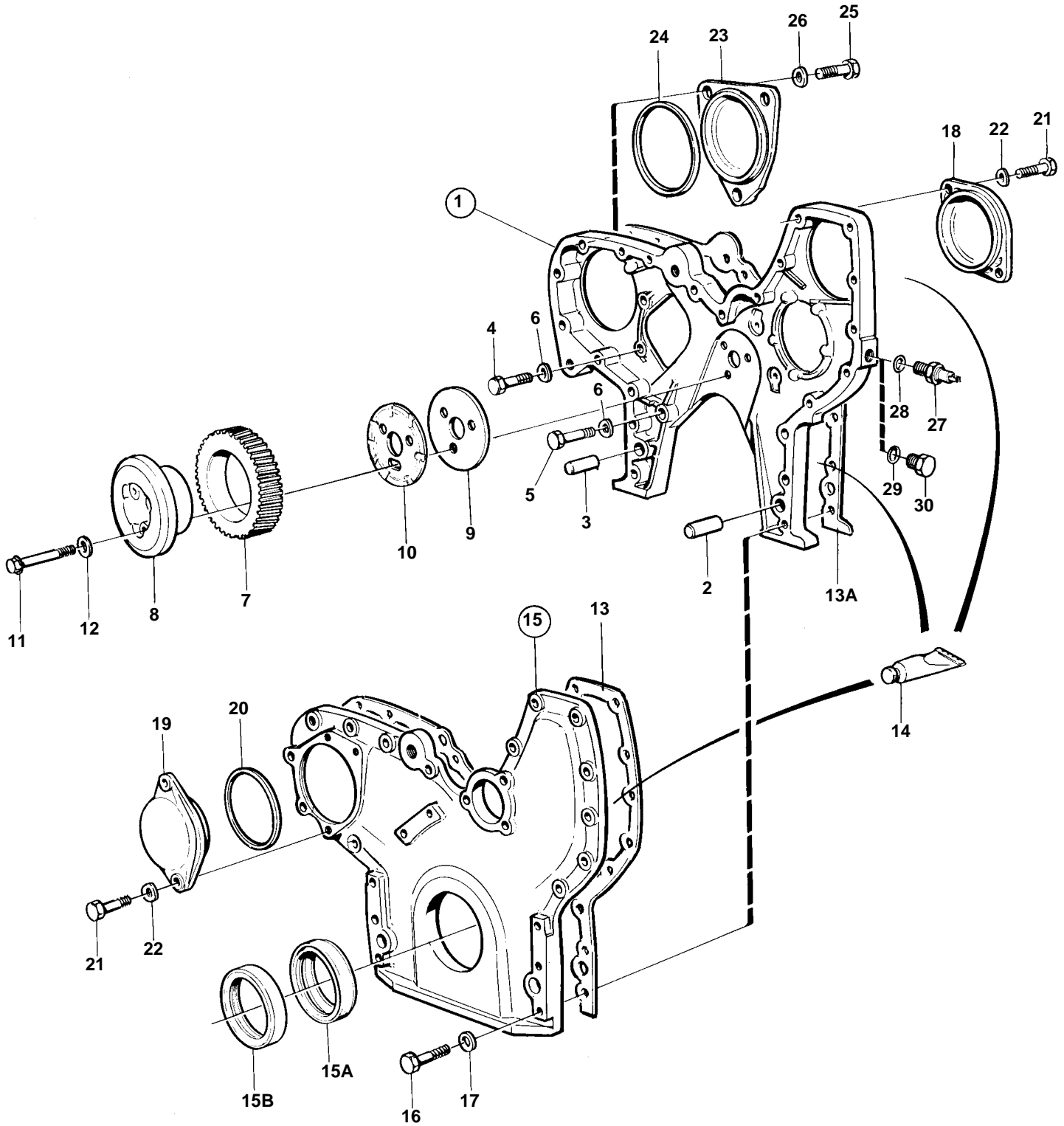


TAMD103A-A, TAMD103A-A AUX



16715

TAMD103A-A, TAMD103A-A AUX

| REF | PART NO. | QTY | DESCRIPTION | SEE SEC. | NOTES |
|-----|----------|-----|-----------------------|----------|----------------------------|
| 1 | 422622 | 1 | Timing gear casing | | |
| 2 | 941510 | 1 | · Pin | | |
| 3 | 941511 | 1 | · Pin | | |
| 4 | 941939 | 4 | Screw | | L=28,6mm |
| 5 | 955537 | 1 | Hexagon screw | | L=51mm |
| 6 | 942336 | 5 | Spring washer | | |
| 7 | 467461 | 1 | Idler gear | | |
| | | | · Bulletin 45-01 | 45-01-EN | Timing Gears, 71, 100, 121 |
| 8 | 422766 | 1 | Bearing spindle | | |
| 9 | 467528 | 1 | Bearing shield | | |
| 10 | 478951 | 1 | Thrust washer | | |
| 11 | 468738 | 3 | Screw | | |
| 12 | 942180 | 3 | Disc spring | | |
| 13 | 422626 | 1 | Gasket | | ALT |
| 13A | 468557 | 1 | Gasket | | ALT |
| 14 | 1161231 | X | Sealant | | ALT 304ml |
| | 1161277 | X | Sealant | | ALT 10g |
| 15 | 864621 | 1 | Cardboard tube | | (823633) |
| 15A | 424983 | 1 | · Sealing ring | | |
| 15B | 941666 | 1 | · Sealing ring | | |
| 16 | 955541 | 2 | Hexagon screw | | L=76mm |
| | 940162 | 10 | Hexagon screw | | L=38mm |
| | 955538 | 2 | Hexagon screw | | L=57mm |
| | 955544 | 6 | Hexagon screw | | L=102mm |
| 17 | 942336 | 27 | Spring washer | | |
| 18 | 420183 | 1 | Cover, hydraulic pump | | |
| 19 | 420183 | 1 | Cover, power take off | | |
| 20 | 420213 | 1 | Seal | | |
| 21 | 955535 | 4 | Hexagon screw | | |
| 22 | 942336 | 4 | Spring washer | | |
| 23 | 420178 | 1 | Cover, sea water pump | | |
| 24 | 975610 | 1 | O-ring | | |
| 25 | 955576 | 3 | Hexagon screw | | |
| 26 | 941911 | 3 | Spring washer | | |
| 27 | | 1 | Tachometer sensor | | SEE GROUP 30 |
| 28 | | 1 | Gasket | | SEE GROUP 30 |
| 29 | 949656 | 1 | O-ring | | ALT |
| 30 | 948187 | 1 | Plug | | ALT |