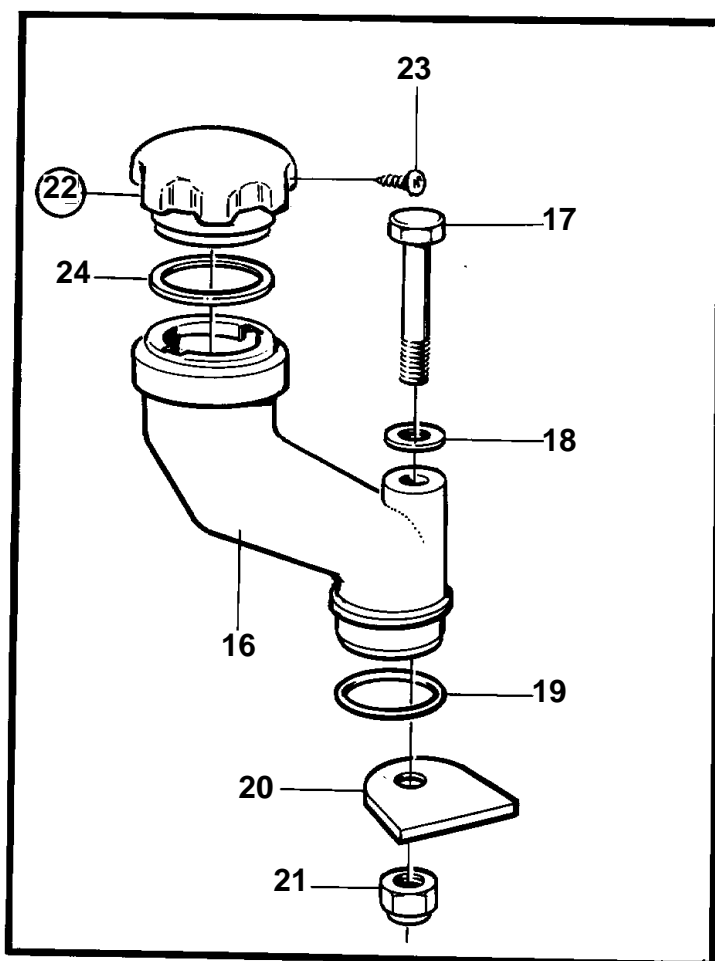
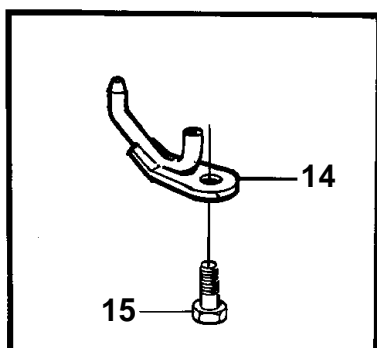
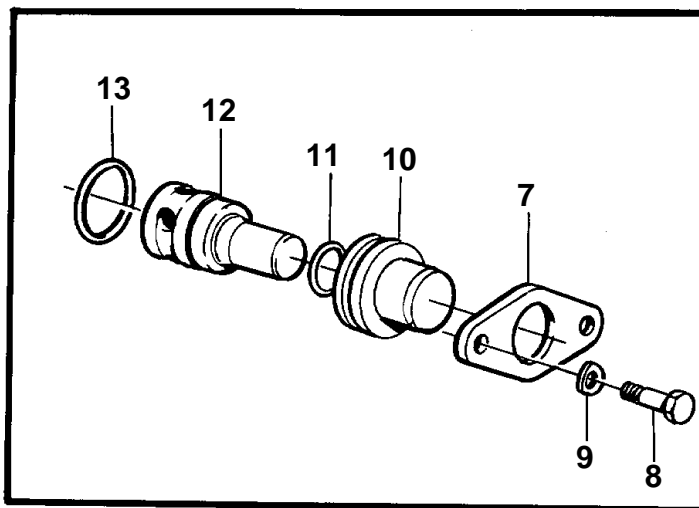
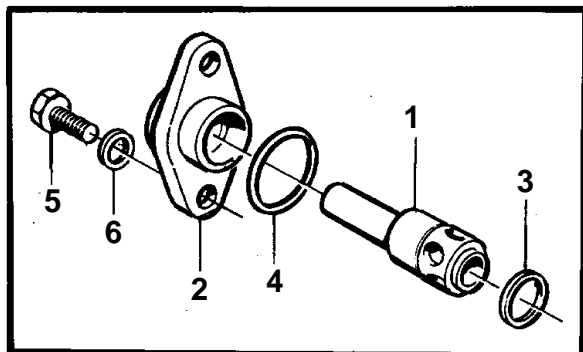


TAMD103A-A, TAMD103A-A AUX



15237

TAMD103A-A, TAMD103A-A AUX

REF	PART NO.	QTY	DESCRIPTION	NOTES
1	471707	1	Reduction valve	YELLOW MARKED
2	471752	1	Cover	
3	469846	1	Sealing ring	
4	949658	1	O-ring	
5	940100	2	Hexagon screw	
6	949607	2	Spring washer	
7	424714	1	Flange	
8	955513	2	Hexagon screw	
9	941906	2	Spring washer	
10	424715	1	Plug	
11	949657	1	O-ring	
12	422836	1	Valve, piston cooling	
13	949656	1	O-ring	
14	864374	6	Piston cooling jet, piston cooling	
15	948587	6	Hexagon screw	
16	821792	1	Oil filler pipe, oil filling	To be mounted in the inspection cover 423121.
17	955517	1	Hexagon screw	
18	955893	1	Washer	
19	949658	1	O-ring	
20	820964	1	Retainer	
21	950352	1	Lock nut	
22	421753	1	Oil filler cap	
23	955126	3	· Cross recessed screw	
24	940096	1	Gasket	