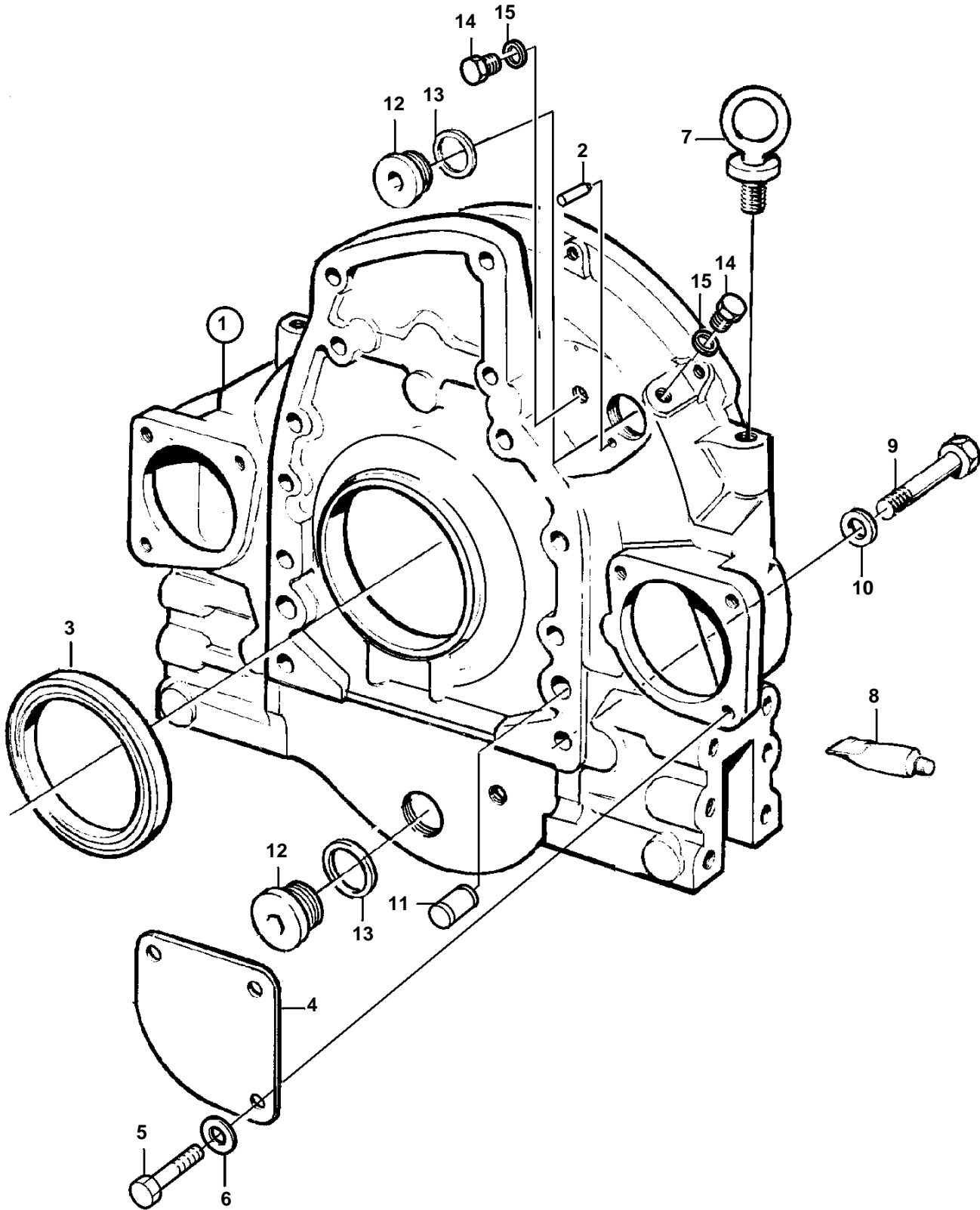


TAMD103A-A, TAMD103A-A AUX



TAMD103A-A, TAMD103A-A AUX

REF	PART NO.	QTY	DESCRIPTION	NOTES
1	848961	1	Flywheel housing	SAE 1
2	403270	1	· Pin	
3	20441697	1	Crankshaft seal	(469336)
4	423081	1	Flange	
5	940114	3	Hexagon screw	
6	942336	3	Spring washer	
7	942345	2	Lifting eye	
8	1161231	X	Sealant	304ml
	1161277	X	Sealant	10g
9	955582	2	Hexagon screw	L=70mm
	955587	2	Hexagon screw	L=102mm
	955580	8	Hexagon screw	L=57mm
10	941911	12	Spring washer	
11	191171	2	Pin	
12	467365	2	Plug	
13	469327	2	Gasket	
14	180761	2	Plug	
15	11996	2	Gasket	