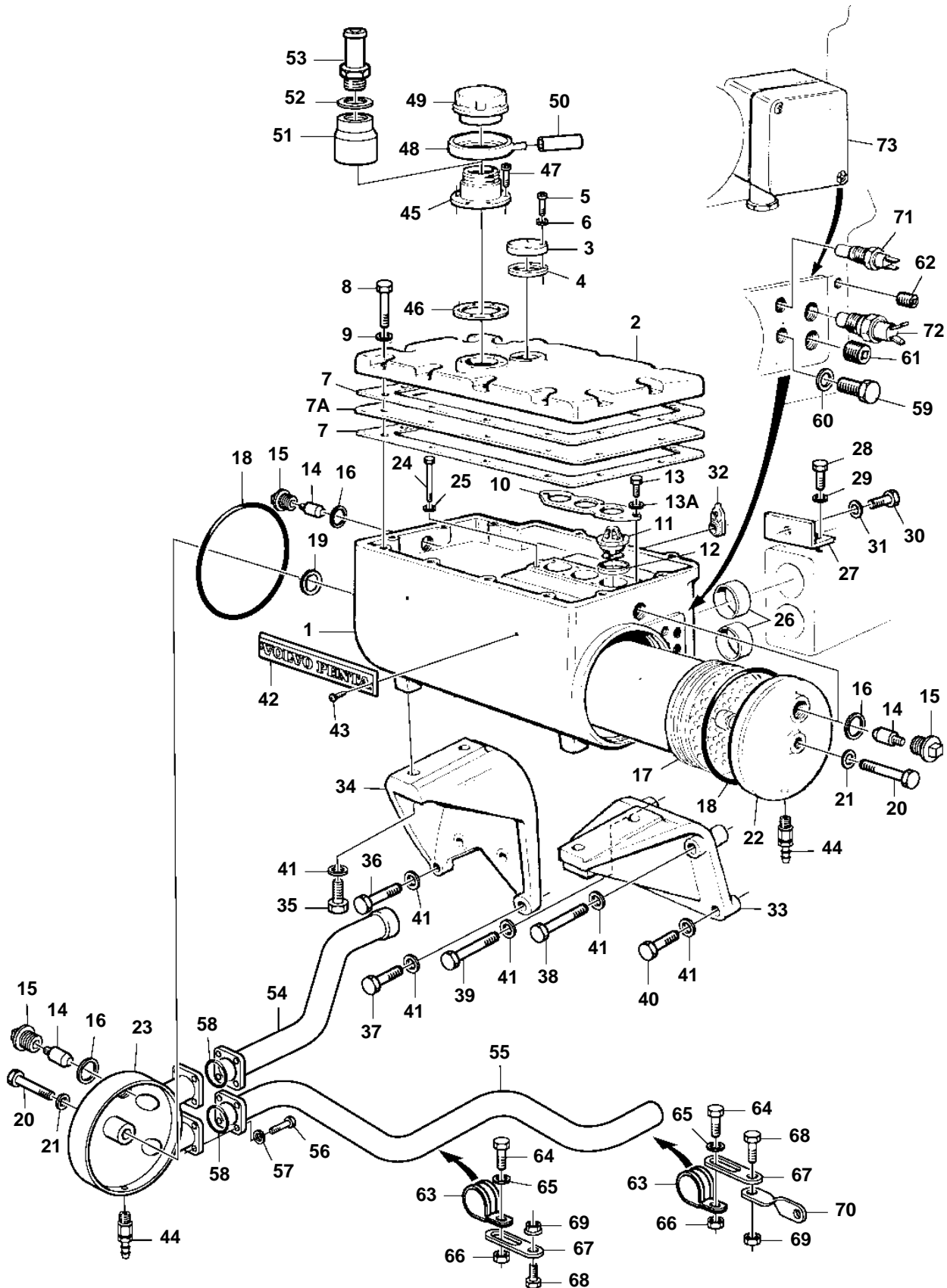


TAMD103A-A



23182

TAMD103A-A

REF	PART NO.	QTY	DESCRIPTION	NOTES
1	837183	1	Housing	
2	3828611	1	Cardboard tube	
3	843760	1	· Cardboard tube	
4	863715	1	· Gasket	
5	969405	4	· 6 point socket screw	
6	941905	4	· Spring washer	
7	3827401	2	Gasket	
7A	3825402	1	Plate	
8	955525	12	Hexagon screw	
9	941907	12	Spring washer	
10	824134	1	Plate	
11	3831424	3	Thermostat kit	81°C
12	416033	3	· Sealing ring	
13	942342	4	Hexagon screw	
13A	941670	4	Washer	
14	823661	4	Zinc anode	
15	823662	4	Plug	
16	836169	4	Gasket	
17	3825963	1	Heat exchanger eleme	
18	400797	4	O-ring	
19	925057	2	O-ring	
20	823279	2	Screw	
21	11996	2	Gasket	
22	820715	1	End cover	
23	864309	1	End cover	
24	942232	6	Hex. socket screw	
25	942551	6	Washer	
26	846923	2	Sealing ring	
27	846739	1	Anchorage	
28	940114	2	Hexagon screw	
29	942336	2	Spring washer	
30	955560	1	Hexagon screw	
31	940280	1	Spring washer	
32	479260	1	Seal	
33	820730	1	Bracket	
34		1	Bracket	
35	940162	4	Hexagon screw	
36	955541	3	Hexagon screw	L=76mm
37	955535	1	Hexagon screw	L=32mm
38	955543	1	Hexagon screw	L=95mm
39	940156	1	Hexagon screw	L=89mm
40	955539	2	Hexagon screw	
41	942336	12	Spring washer	
42	820232	1	Sign	
43	950210	3	Cross recessed screw	
44	966871	3	Shut-off cock	
45	3825064	1	Filler neck	
46	842137	1	Gasket	
47	950158	4	Cross recessed sunk	
48	3828863	1	Rubber collar	
49	1674083	1	Pressure cap	
50	192618	X	Hose	L=1000mm
51	3826167	1	Adapter	
52	836169	1	Gasket	
53	943268	1	Hose nipple	ALT
54	3825372	1	Coolant pipe, intercooler	ALT
55	3825383	1	Coolant pipe, oil cooler-rev.gear	ALT
56	956569	8	Hex. socket screw	
57	941907	8	Spring washer	
58	843584	2	Gasket	
59	180761	1	Plug	
60	11996	1	Gasket	
61	479977	1	Plug	

TAMD103A-A

REF	PART NO.	QTY	DESCRIPTION	NOTES
62	952075	1	Plug	
63	32447	2	Clamp	
64	940115	2	Hexagon screw	
65	942336	2	Spring washer	
66	955827	2	Hexagon nut	
67	965535	1	Bracket	
68	946544	1	Flange screw	
69	945407	1	Flange nut	
70		1	Bracket	
71		1	Ect sensor	SEE GROUP 30
72		1	Temperature contact	SEE GROUP 30
73		1	Protecting casing, classifiable	SEE GROUP 30