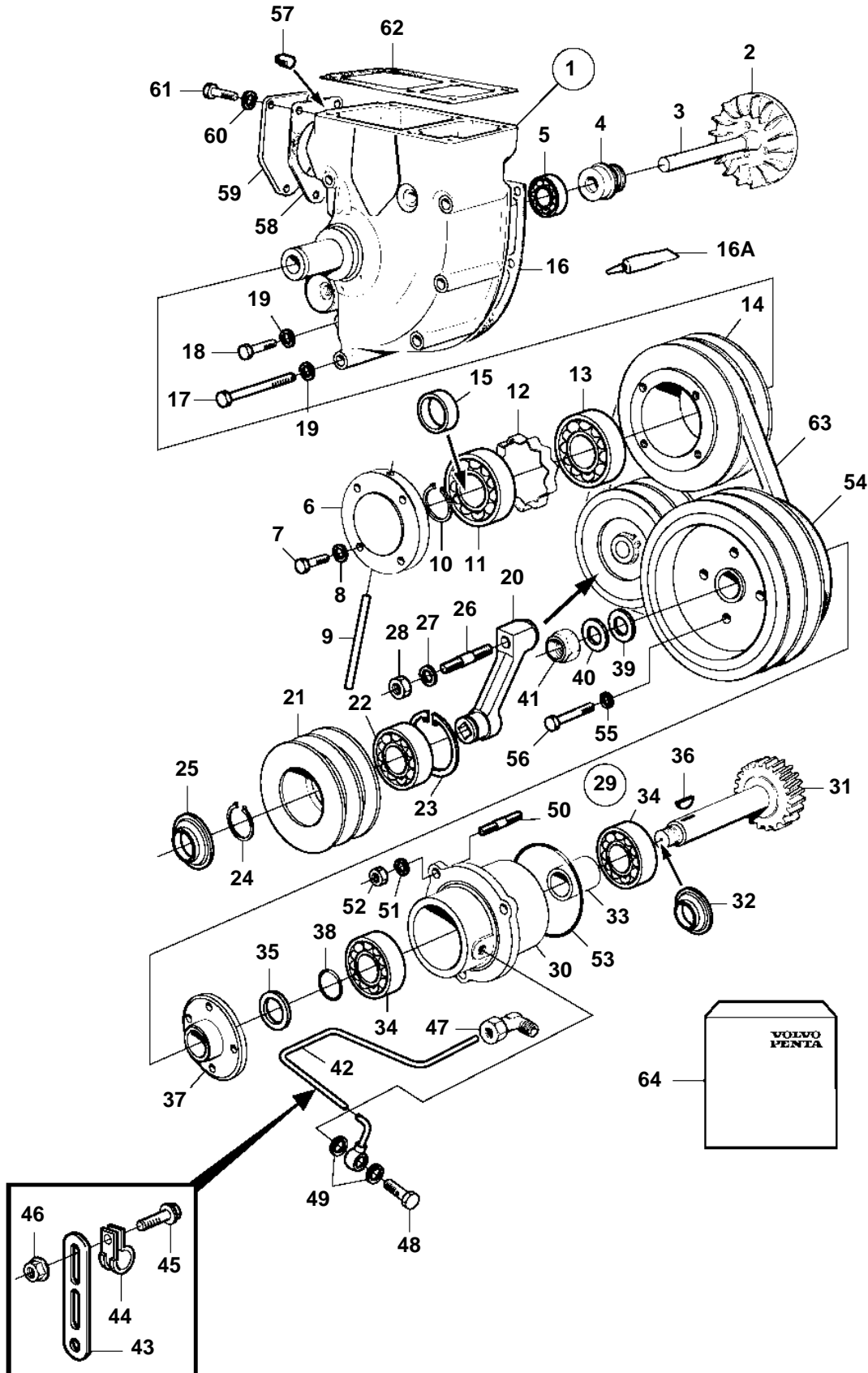


TAMD103A-A, TAMD103A-A AUX



TAMD103A-A, TAMD103A-A AUX

| REF | PART NO. | QTY | DESCRIPTION | NOTES |
|-----|----------|-----|------------------------------------|----------|
| 1 | 866584 | 1 | Coolant pump | |
| | 3803214 | 1 | Coolant pump, exch, exch | |
| 2 | 1698603 | 1 | · Impeller | |
| 3 | 421082 | 1 | · Shaft | |
| 4 | 1676432 | 1 | · Sealing ring | |
| 5 | 1660609 | 1 | · Ball bearing | |
| 6 | 836805 | 1 | · Companion flange | |
| 7 | 940159 | 4 | · Hexagon screw | |
| 8 | 941907 | 4 | · Spring washer | |
| 9 | 951969 | 1 | · Spring pin | |
| 10 | 914462 | 1 | · Snap ring | |
| 11 | 1542870 | 1 | · Roller bearing | |
| 12 | 422202 | 1 | · Spacer sleeve | |
| 13 | 181538 | 1 | · Ball bearing | |
| 14 | 822548 | 1 | · V-belt pulley | |
| 15 | 1542871 | 1 | · Spacer sleeve | |
| 16 | 423127 | 1 | Gasket | |
| 16A | 1161231 | X | Sealant | |
| 17 | 955542 | 6 | Hexagon screw | |
| 18 | 940162 | 2 | Hexagon screw | |
| 19 | 942336 | 8 | Spring washer | |
| 20 | 3838578 | 1 | Intermediate lever, belt tensioner | |
| 21 | 822551 | 1 | V-belt pulley | |
| 22 | 1544092 | 1 | Ball bearing | |
| 23 | 914533 | 1 | Snap ring | |
| 24 | 914462 | 1 | Snap ring | |
| 25 | 420416 | 1 | Protecting plate | |
| 26 | 953354 | 1 | Stud | |
| 27 | 941911 | 1 | Spring washer | |
| 28 | 955828 | 1 | Hexagon nut | |
| 29 | 837702 | 1 | Drive outlet | |
| 30 | 837703 | 1 | · Bearing housing | |
| 31 | 837704 | 1 | · Gear | |
| 32 | 837705 | 1 | · Deflector | |
| 33 | 837706 | 1 | · Spacer sleeve | |
| 34 | 3825779 | 2 | · Ball bearing | (183731) |
| 35 | 958856 | 1 | · Sealing ring | |
| 36 | 909867 | 1 | · Flat key | |
| 37 | 837707 | 1 | · Hub | |
| 38 | 190418 | 1 | · O-ring | |
| 39 | 947170 | 1 | · Gasket | |
| 40 | 837708 | 1 | · Washer | |
| 41 | 949399 | 1 | · Lock nut | |
| 42 | 866082 | 1 | Oil pipe | |
| 43 | 965535 | 1 | Bracket | |
| 44 | 952622 | 1 | Clamp | |
| 45 | 946544 | 1 | Flange screw | |
| 46 | 945407 | 1 | Flange nut | |
| 47 | 866083 | 1 | Nipple, cylinder block | |
| 48 | 844625 | 1 | Hollow screw | |
| 49 | 947620 | 2 | Gasket | |
| 50 | 953257 | 1 | Stud | L=35mm |
| | 953280 | 2 | Stud | L=120mm |
| 51 | 942336 | 3 | Spring washer | |
| 52 | 955827 | 3 | Hexagon nut | |
| 53 | 949660 | 1 | O-ring | |
| 54 | 842769 | 1 | Pulley | |
| 55 | 942336 | 4 | Spring washer | |
| 56 | 955534 | 4 | Hexagon screw | |
| 57 | 479977 | 1 | Plug | |
| 58 | 422171 | 1 | Gasket | |
| 59 | 846685 | 1 | Flange, heat exchanger | |
| 60 | 941907 | 3 | Spring washer | |

TAMD103A-A, TAMD103A-A AUX

| REF | PART NO. | QTY | DESCRIPTION | NOTES |
|-----|----------|-----|--------------------------------|-------|
| 61 | 955524 | 3 | Hexagon screw | |
| 62 | 862596 | 1 | Gasket | |
| 63 | 966958 | 1 | V-belt | |
| 64 | 876434 | 1 | Overhaul kit, circulation pump | |
| | | | | |
| | | | | |
| | | | | |
| | | | | |
| | | | | |
| | | | | |
| | | | | |
| | | | | |
| | | | | |
| | | | | |
| | | | | |
| | | | | |
| | | | | |
| | | | | |
| | | | | |
| | | | | |
| | | | | |
| | | | | |
| | | | | |
| | | | | |