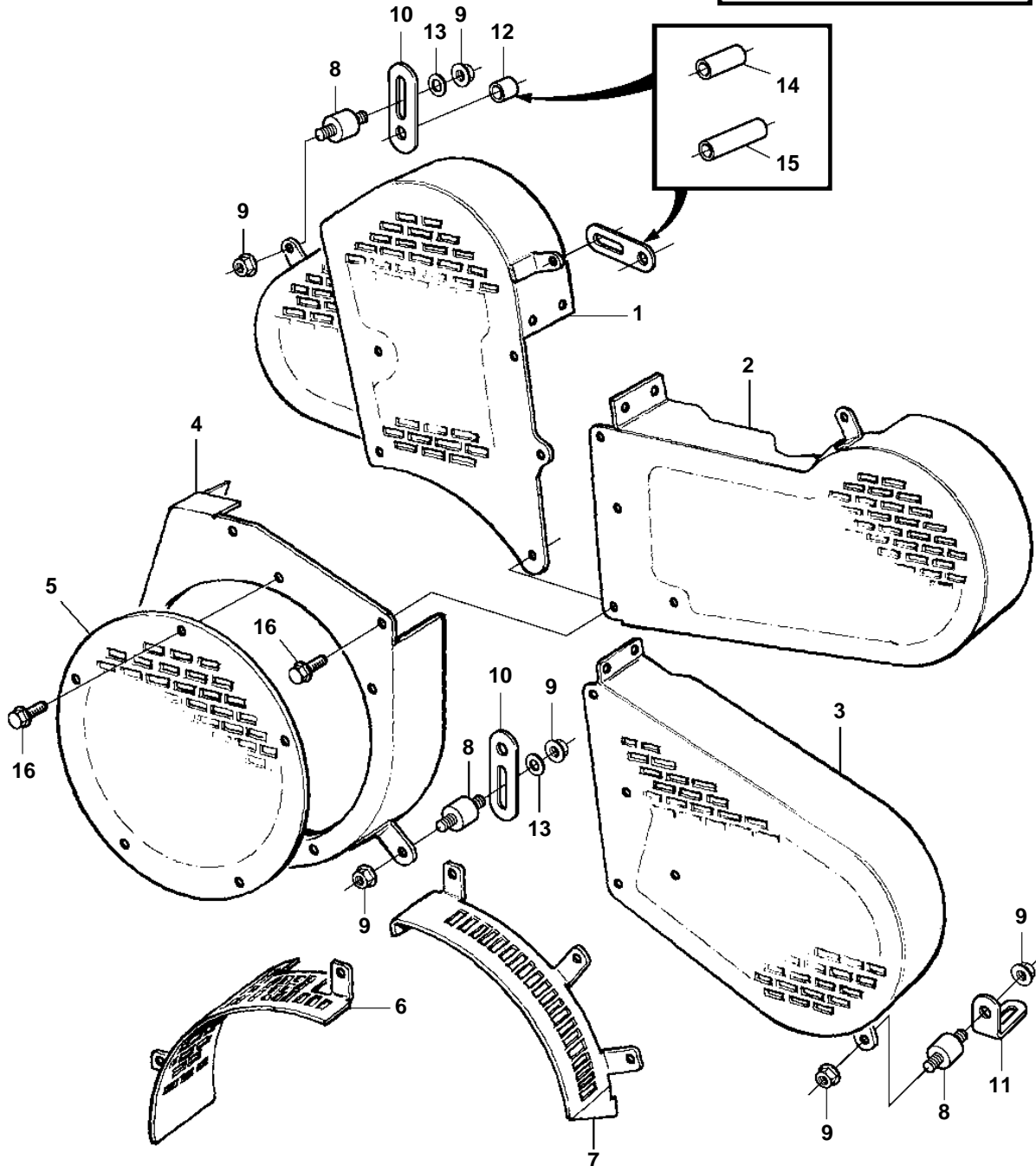
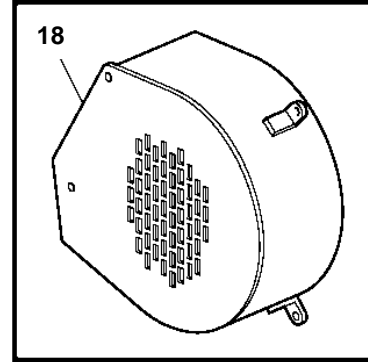
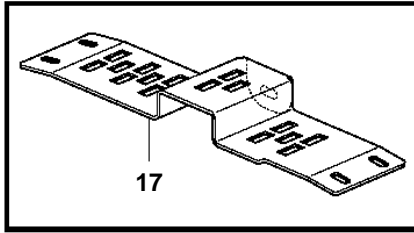


TAMD103A-A, TAMD103A-A AUX



23318

**TAMD103A-A, TAMD103A-A AUX**

REF	PART NO.	QTY	DESCRIPTION	NOTES
1	3826278	1	Protecting casing	
2		1	Protecting casing	Alternator mounted high.
3	3826287	1	Protecting casing	Alternator mounted low.
4	3826282	1	Protecting casing	
5	3826280	1	Protecting casing	
6		1	Protecting casing	To be used when PTO is installed.
7	3826352	1	Protecting casing	To be used when PTO is installed.
8	3574797	X	Vibration damper	
9	945407	X	Flange nut	
10	965535	X	Bracket	
11	965553	1	Bracket	
12	829653	1	Spacer sleeve	
13	976943	X	Washer	
14	821541	1	Spacer sleeve	KC
15	822779	1	Spacer sleeve	KC
16	967949	X	Flange screw	
17	3588847	1	Protecting plate	No alternator.
18	3838875	1	Protecting casing	For 2 pcs vibration damper.