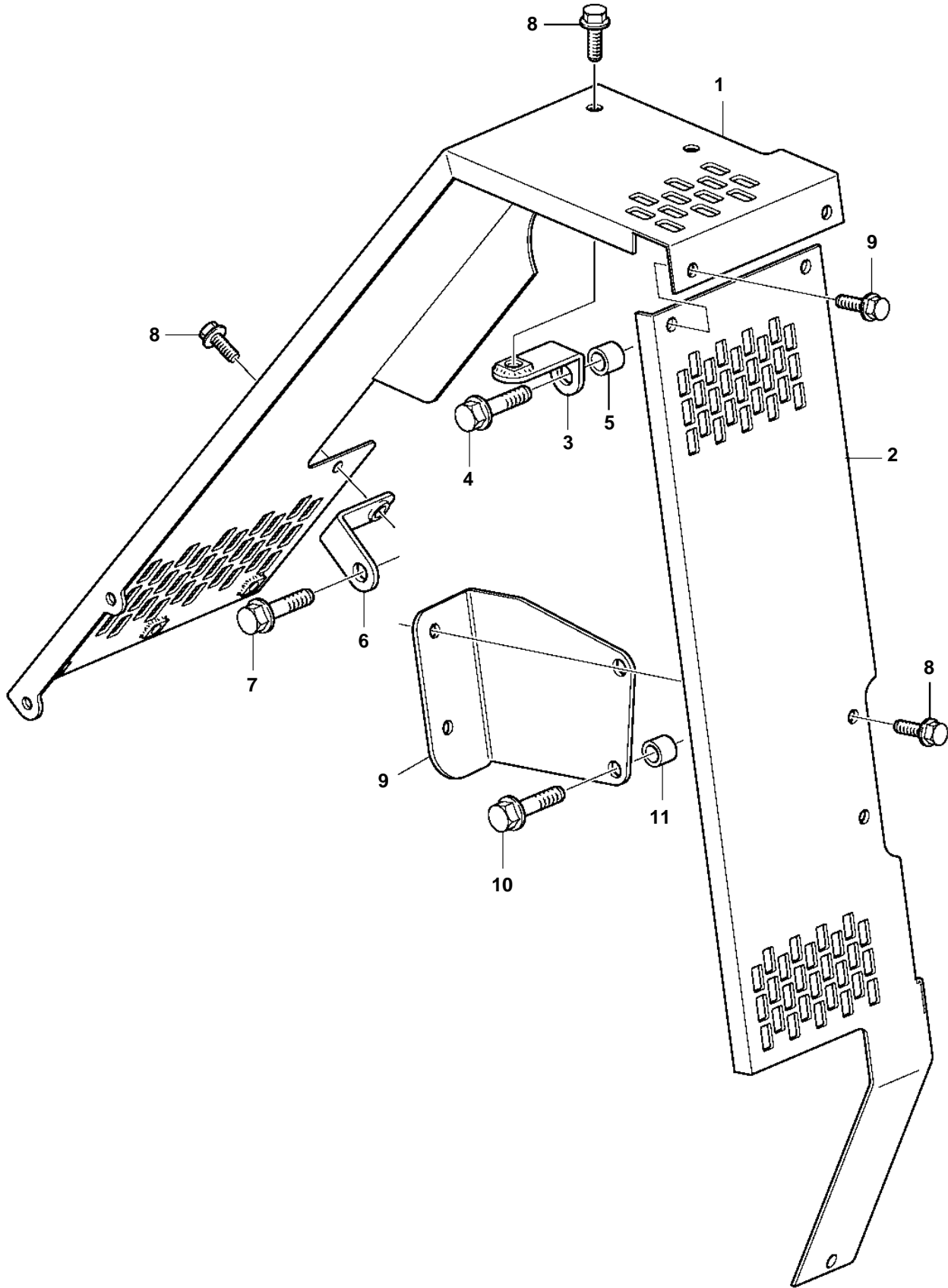


TAMD103A-A, TAMD103A-A AUX



**TAMD103A-A, TAMD103A-A AUX**

REF	PART NO.	QTY	DESCRIPTION	NOTES
1	3826980	1	Belt protector	
2	3825176	1	Belt protector	
3	3825634	1	Bracket	Replaced by 1 pc 965556 and 1 pc 945407.
4	955526	1	Hexagon screw	
5	807183	1	Spacer sleeve	
6	3825183	1	Bracket	
7	940162	1	Hexagon screw	
8	967949	18	Flange screw	
9	3826241	1	Bracket	
10	955538	2	Hexagon screw	
11	829653	2	Spacer sleeve	