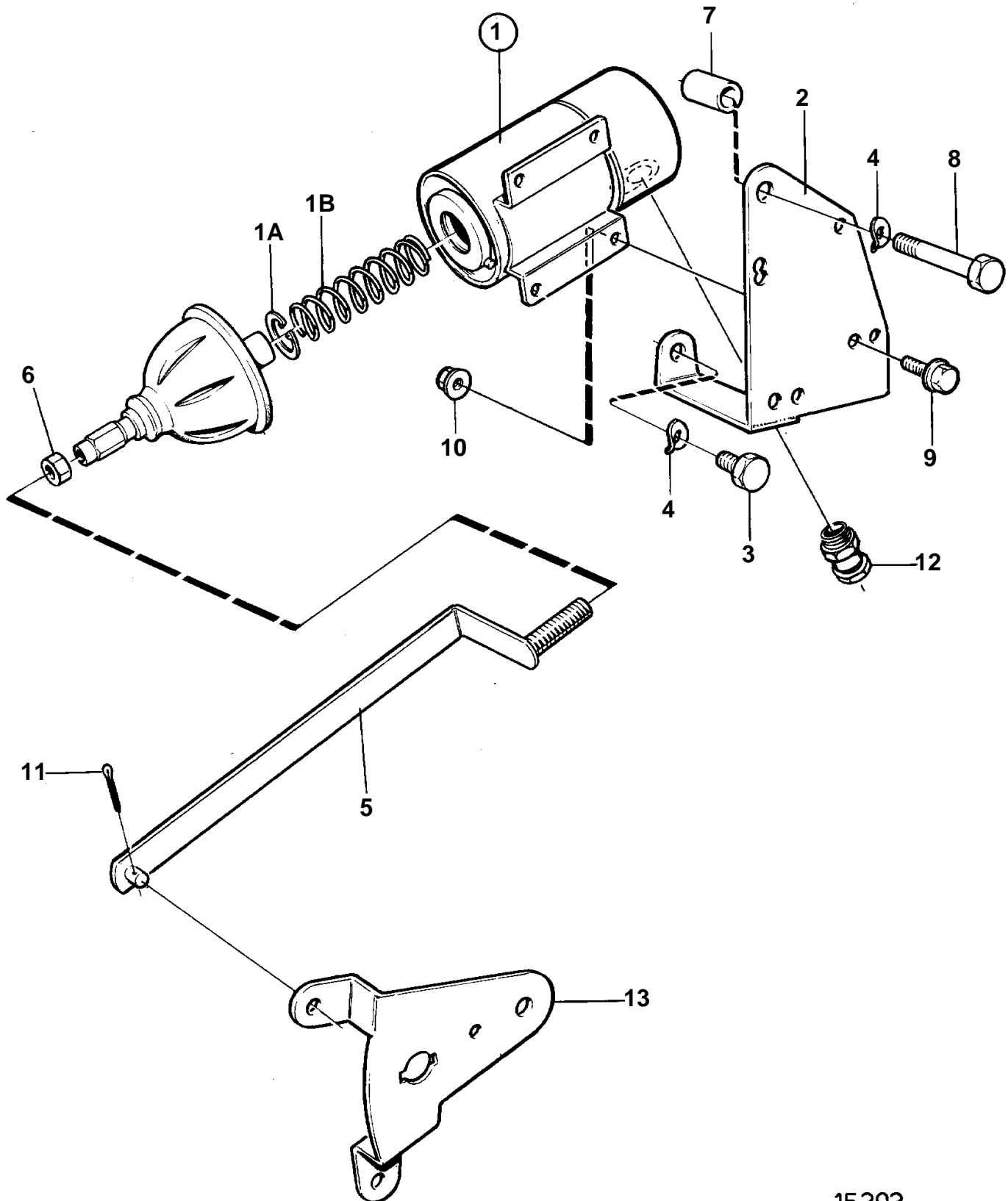


TAMD103A-A, TAMD103A-A AUX



15393

TAMD103A-A, TAMD103A-A AUX

REF	PART NO.	QTY	DESCRIPTION	NOTES
1	872825	1	Stop solenoid	24 VOLT
1A		1	· Snap ring	
1B	843401	1	· Return spring	
2	822649	1	Bracket	
3	940114	1	Hexagon screw	
4	942336	2	Spring washer	
5	845444	1	Pull rod	
6	955857	1	Hexagon nut	
7	822779	1	Spacer sleeve	
8	955541	1	Hexagon screw	
9	946544	4	Flange screw	
10	945407	4	Flange nut	
11	907824	1	Split pin	
12	844576	1	Cable union	
13		1	Lever	