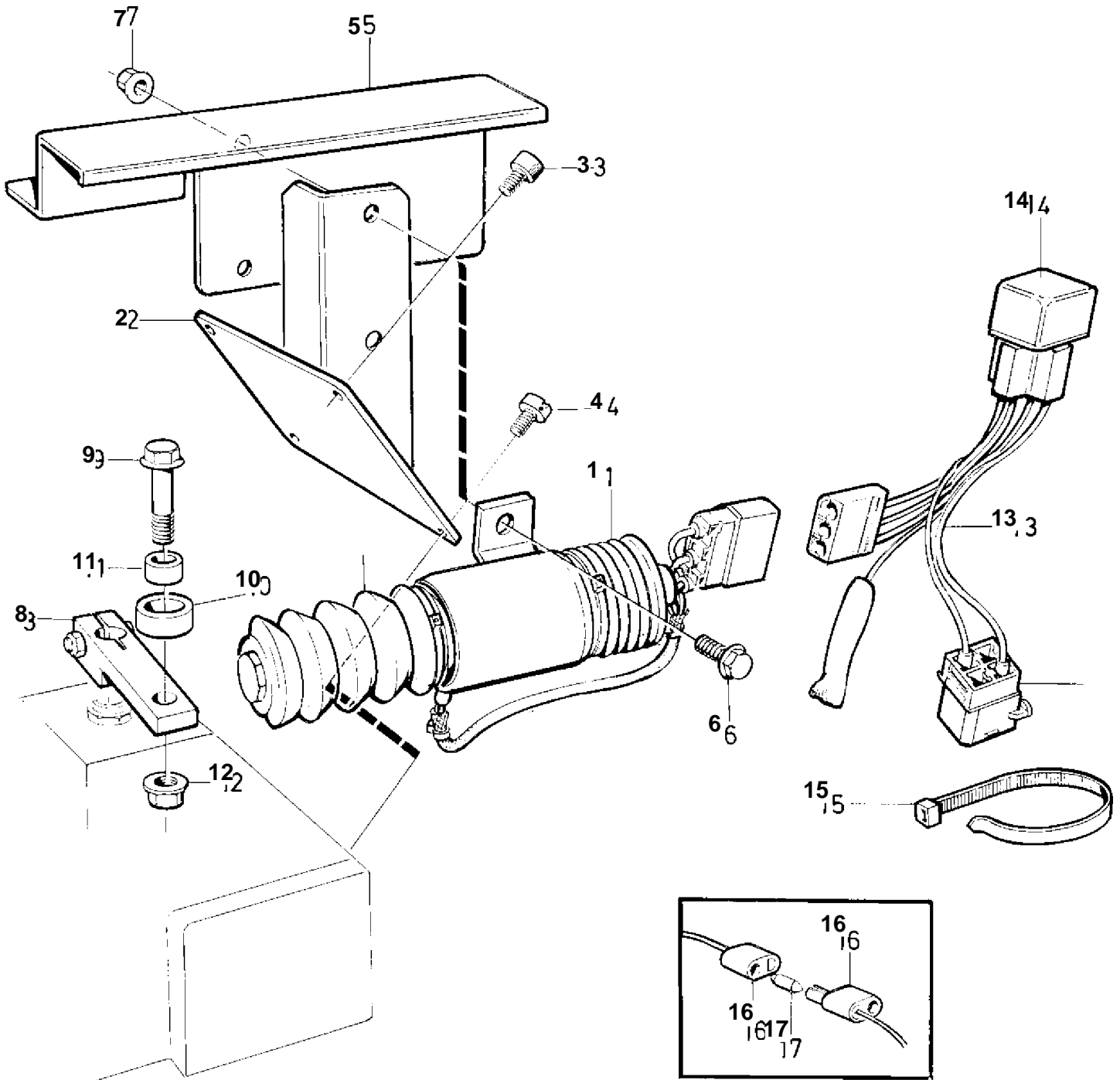


TAMD103A-A, TAMD103A-A AUX



11754

TAMD103A-A, TAMD103A-A AUX

| REF | PART NO. | QTY | DESCRIPTION        | NOTES     |
|-----|----------|-----|--------------------|-----------|
| 1   | 872905   | 1   | Stop solenoid      |           |
| 2   | 866173   | 1   | Bracket            |           |
| 3   | 941460   | 2   | Hex. socket screw  | L=14mm    |
| 4   |          | 2   | Screw, sealing     |           |
| 5   | 866799   | 1   | Heat shield        |           |
| 6   | 946544   | 2   | Flange screw       | L=25mm    |
| 7   | 945407   | 2   | Flange nut         |           |
| 8   | 3825151  | 1   | Intermediate lever |           |
| 9   | 947542   | 1   | Flange screw       |           |
| 10  | 865382   | 1   | Wheel              |           |
| 11  | 865909   | 1   | Spacer sleeve      |           |
| 12  | 945407   | 1   | Flange nut         |           |
| 13  | 872906   | 1   | Adapter            |           |
| 14  | 20374662 | 1   | Relay              | (9518230) |
| 15  | 948211   | 3   | Cable tie          |           |
| 16  | 966334   | 1   | Fuse holder        |           |
| 17  | 11433    | 1   | Fuse               |           |