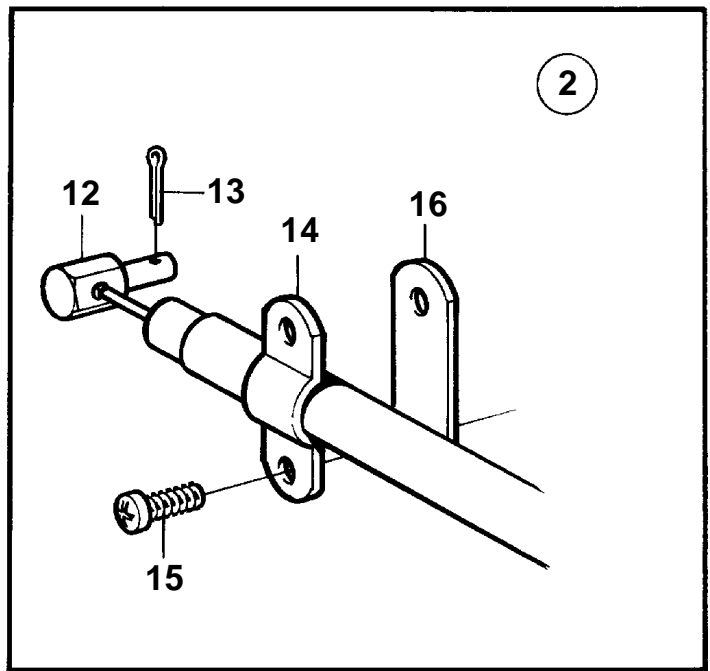
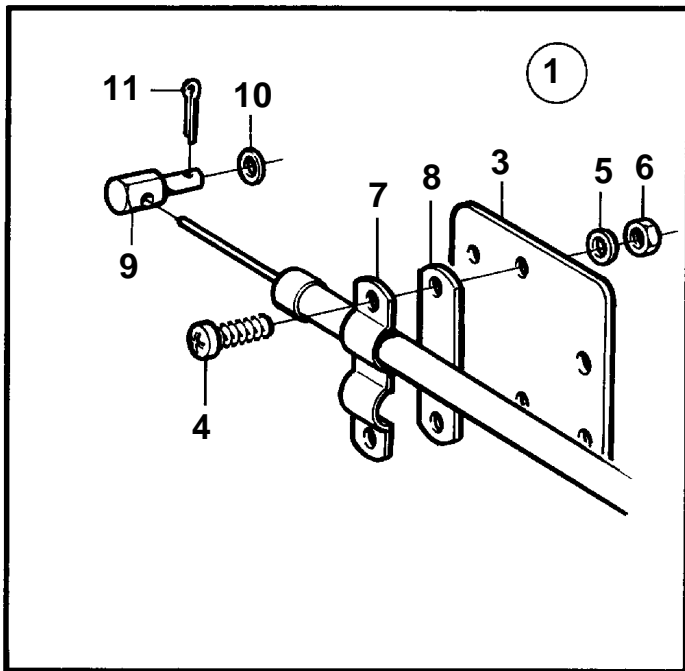
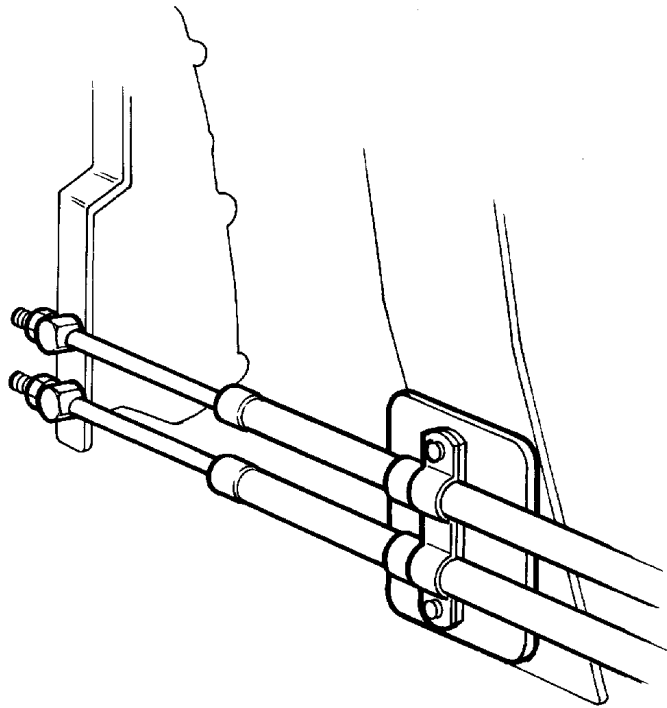


TAMD103A-A, TAMD103A-A AUX



8745

TAMD103A-A, TAMD103A-A AUX

REF	PART NO.	QTY	DESCRIPTION	NOTES
1		1	Speed control kit	For control cable type 333.
4	950021	2	Cross recessed screw	
5	941905	4	Spring washer	
6	951674	2	Lock nut	
7	850182	1	Cable attachment	
8	850183	1	Spacer	
9	814085	2	Cube	
10	941906	2	Spring washer	
11	17276	2	Split pin	