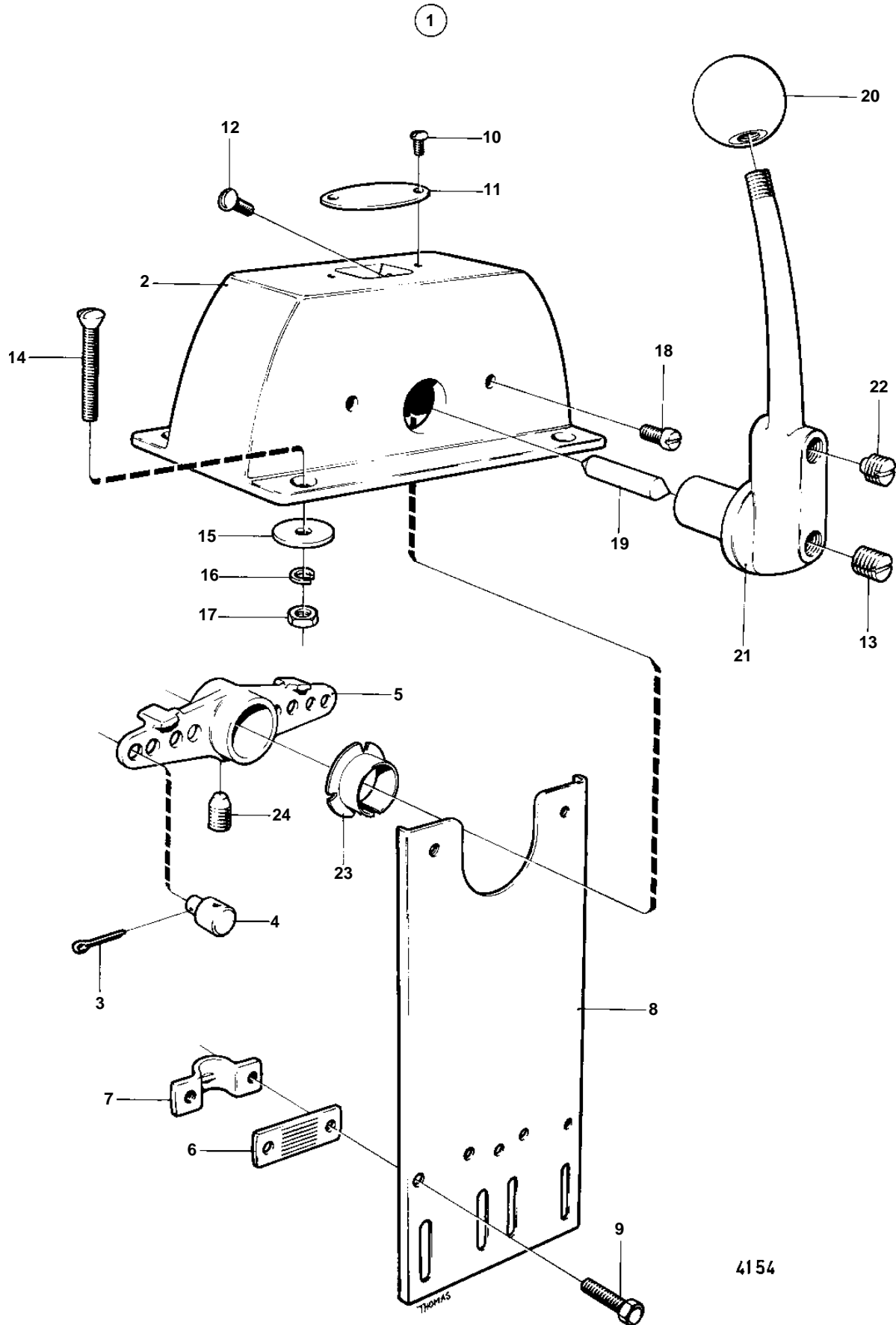


TAMD103A-A, TAMD103A-A AUX



TAMD103A-A, TAMD103A-A AUX

REF	PART NO.	QTY	DESCRIPTION	NOTES
1		1	Control	
2		1	· Housing	
3	17276	1	· Split pin	
4	3852329	1	· Cube	(804312)
5		1	· Lever	
6		1	· Plate	
7		1	· Cable attachment	
8		1	· Bracket	
9	192245	2	· Screw	
10		2	· Cross recessed screw	
11		1	· Sign	
12	192010	2	· Cross recessed screw	
13		2	· Screw	
14		4	· Screw	
15	960138	4	· Washer	
16	941905	4	· Spring washer	
17	955844	4	· Hexagon nut	
18		2	· Cross recessed screw	
19		1	· Pin	
20		1	· Handle ball	
21		1	· Control arm	
22		1	· Lock screw	
23		1	· Bearing	
24		1	· Lock screw	