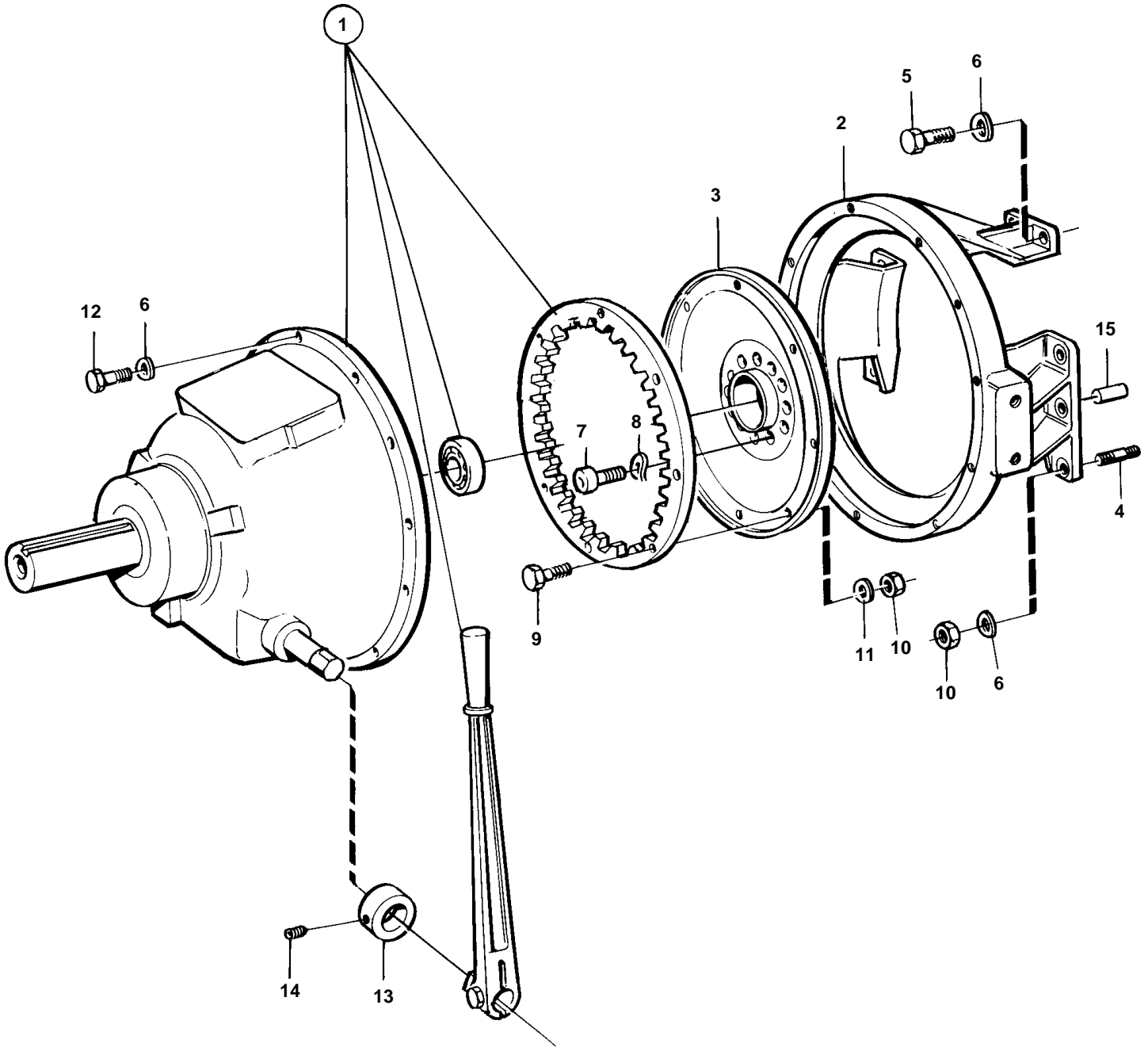


TAMD103A-A, TAMD103A-A AUX



11814

TAMD103A-A, TAMD103A-A AUX

REF	PART NO.	QTY	DESCRIPTION	SEE SEC.
1	820802	1	Power take-off	
				1058
2		1	Bell housing	
3		1	Companion flange	
4	953282	6	Stud	
5	955535	2	Hexagon screw	
6	942336	20	Spring washer	
7		12	Hex. socket screw	
8	941909	12	Spring washer	
9	955536	8	Hexagon screw	
10	955827	14	Hexagon nut	
11	955950	8	Toothed washer	
12	940115	12	Hexagon screw	
13	803612	2	Stop ring	
14		4	Set screw	
15	941510	2	Pin	