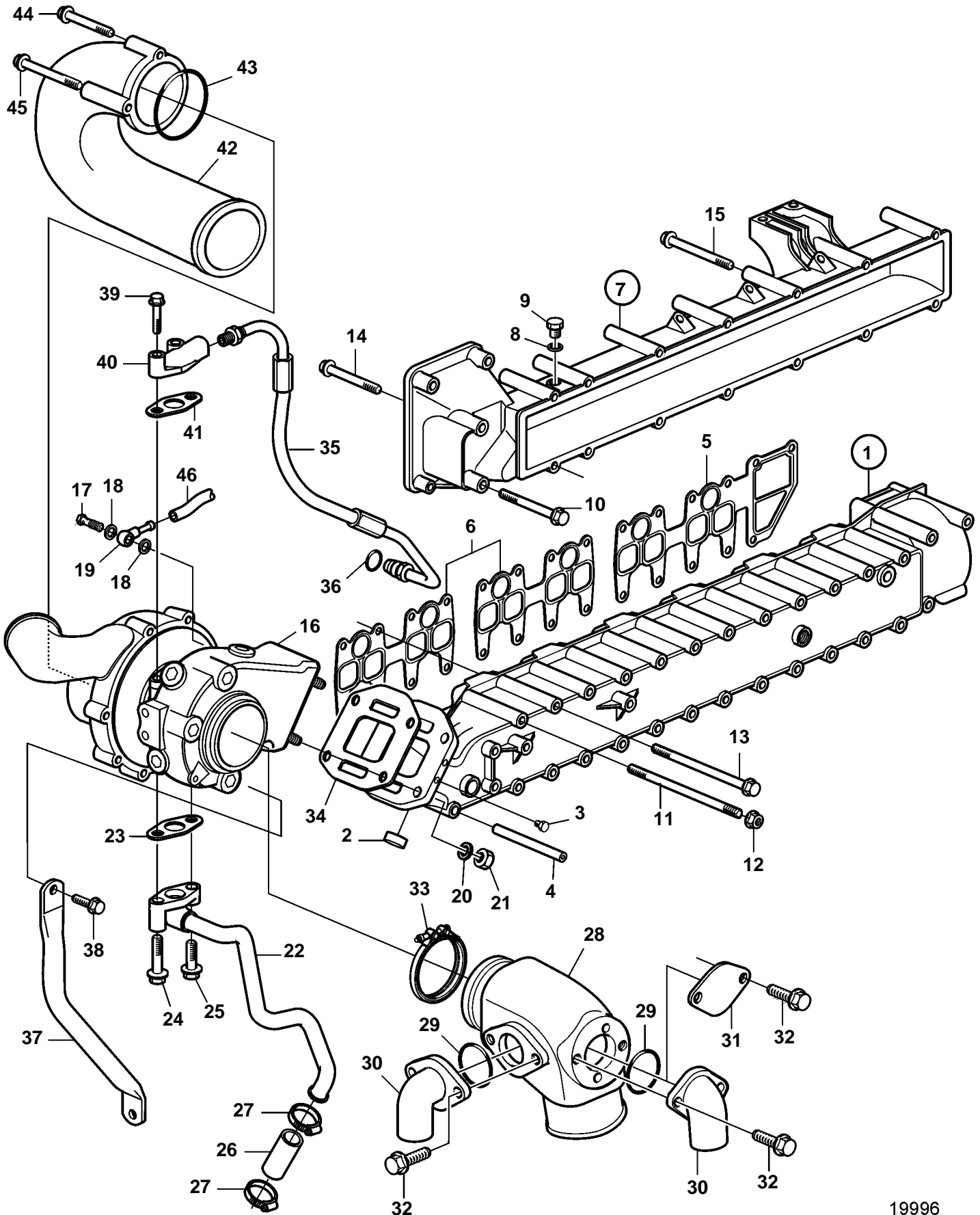


D6-350I-A, D6-350A-A, D6-350A-B, D6-370I-A, D6-370I-B, D6-370D-A



D6-350I-A, D6-350A-A, D6-350A-B, D6-370I-A, D6-370I-B, D6-370D-A

REF	PART NO.	QTY	DESCRIPTION	NOTES
1	889111	1	Exhaust manifold	
2	8131707	1	• Cap plug	
3	479979	1	• Plug	
4	3583116	1	• Locating pin	
5	3583336	1	Gasket	
6	3582725	2	Gasket	
7	3808942	1	Inlet pipe	(3588033)
8	11994	1	• Gasket	
9	966142	1	• Plug	
10	947760	1	Flange screw	
11	948194	6	Stud	
12	945408	6	Flange nut	
13	968999	22	Screw	L=130mm
14	965184	13	Screw	L=100mm
15	965182	1	Flange screw	L=80mm
16	3584053	1	Turbo	
	3802151	1	Turbocharger, exch Comps. not spec.	Exchange unit
17	969299	1	Hollow screw	
18	11994	2	Gasket	
19	858750	1	Banjo nipple	
20	955895	4	Washer	
21	940183	4	Nut	
22	3582967	1	Oil return pipe	
23	860105	1	Gasket	
24	948217	1	Flange screw	
25	945444	1	Flange screw	
26	466328	1	Rubber hose	
27	943474	2	Hose clamp	
28	3583902	1	Exhaust riser	
29	969415	2	O-ring	
30	3819016	2	Connector	(3583915)
31	3584006	1	Cover	
32	946934	4	Flange screw	
33	3807212	1	Clamp	
34	3583335	1	Gasket	
35	3582968	1	Oil feed pipe	
36	976971	1	O-ring	
37	3583094	1	Support	
38	946471	1	Screw	
39	947760	2	Flange screw	
40	8192268	1	Flange	
41	420641	1	Gasket	
42	3812945	1	Connector	(888445)
43	949841	1	Sealing ring	
44	965180	1	Flange screw	
45	968842	2	Flange screw	
46	942700	X	Hose	L=600mm