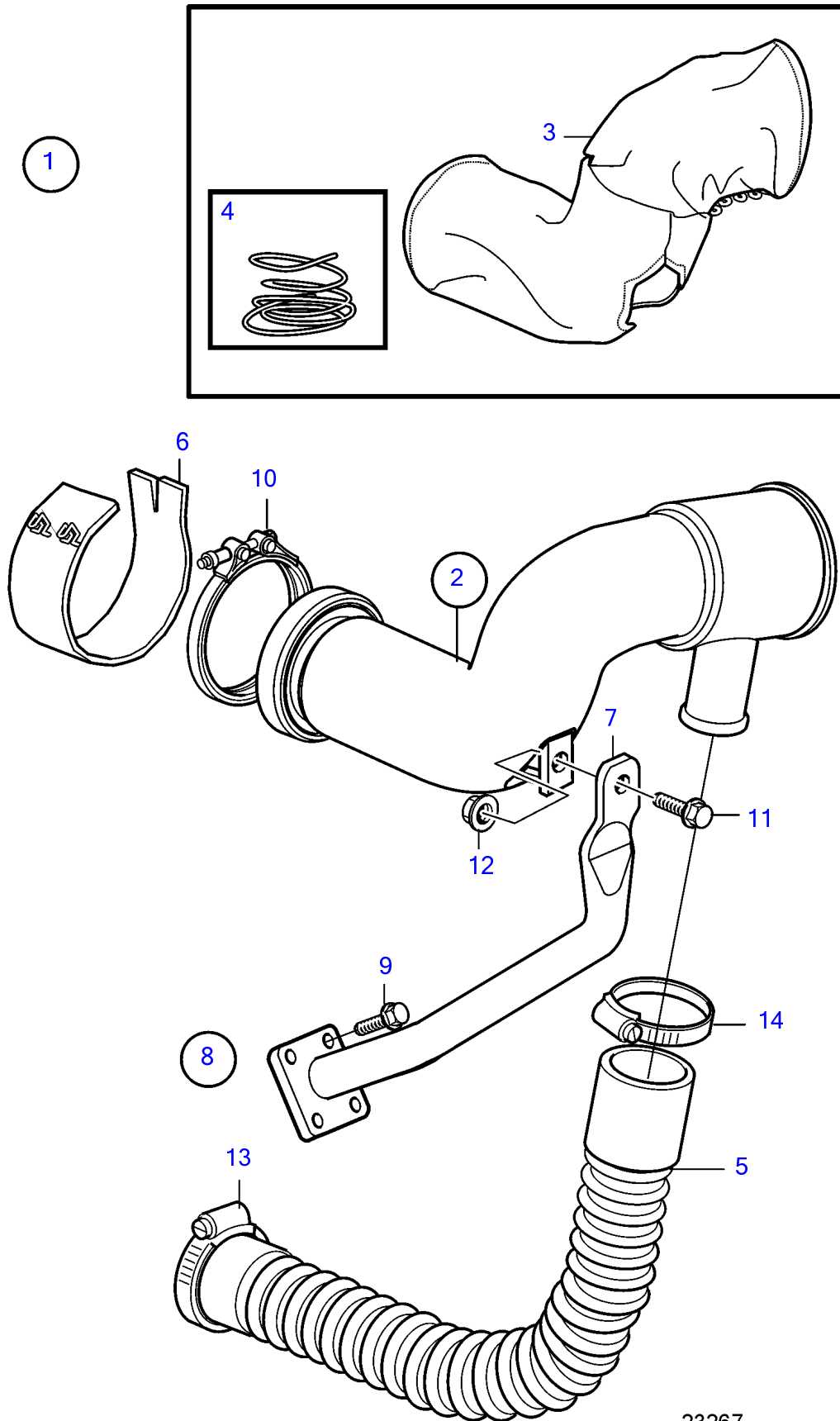


D6-280I-A, D6-280I-B, D6-280I-C, D6-280I-D, D6-280I-E, D6-310I-A, D6-310I-B, D6-310I-C, D6-310I-D, D6-330I-B, D6-330I-C, D6-330I-D, D6-370I-A, D6-370I-B, D6-370I-C, D6-370I-D, D6-310I-E, D6-330I-E, D6-370I-E, D6-435I-A, D6-435I-C, D6-435I-D, D6-435I-E



23267

D6-280I-A, D6-280I-B, D6-280I-C, D6-280I-D, D6-280I-E, D6-310I-A, D6-310I-B, D6-310I-C, D6-310I-D, D6-330I-B, D6-330I-C, D6-330I-D, D6-370I-A, D6-370I-B, D6-370I-C, D6-370I-D, D6-310I-E, D6-330I-E, D6-370I-E, D6-435I-A, D6-435I-C, D6-435I-D, D6-435I-E

REF	PART NO.	QTY	DESCRIPTION	NOTES
1	3887981	1	Exhaust riser	D6-435
	(3885295)	1	Exhaust riser	Obsolete part
2	3884681	1	• Exhaust riser	
3	3884679		• • Isolation	
4		X	• • Locking wire	
5	3887979	1	• Hose	D6-435
	3887281	1	• Hose	
6	3817196	1	• Isolation	
7	3884705	1	• Stay	
8		1	• Connector kit	D6-435
		1	• Connector kit	
9	965191	4	• • Flange screw	
10	3807212	1	• • Clamp	
11	946441	1	• • Flange screw	
12	971095	1	• • Flange nut	
13	961671	1	• • Hose clamp	
14	961673	1	• • Hose clamp	D6-435
	961672	1	• • Hose clamp	