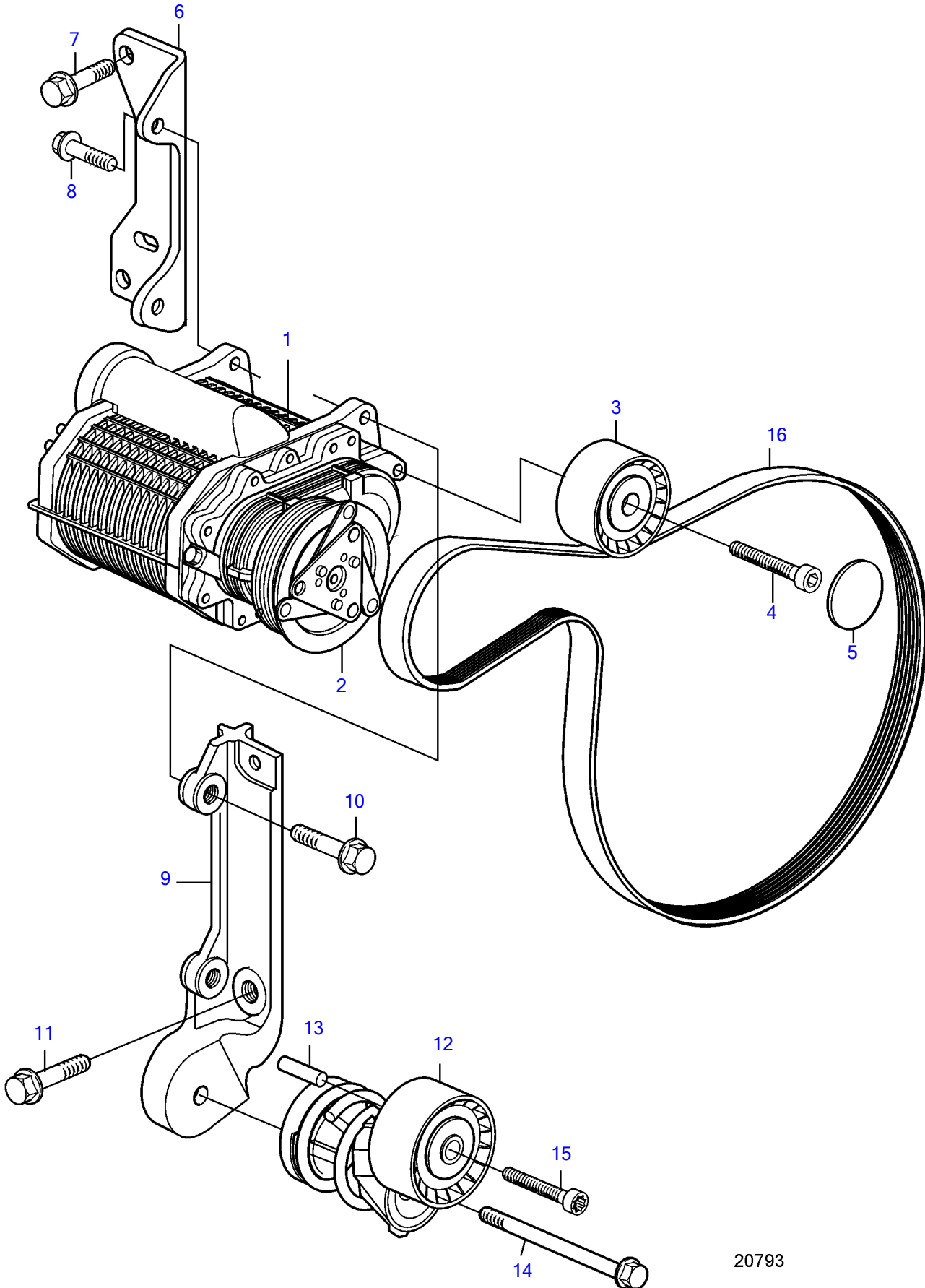


D6-350A-A, D6-350A-B, D6-370A-B, D6-370A-C, D6-370A-D, D6-370D-B, D6-370D-C, D6-370D-D, D6-370A-E, D6-370D-E



20793

D6-350A-A, D6-350A-B, D6-370A-B, D6-370A-C, D6-370A-D, D6-370D-B, D6-370D-C, D6-370D-D, D6-370A-E, D6-370D-E

REF	PART NO.	QTY	DESCRIPTION	SEE SEC.	NOTES
1	3803851	1	Compressor, exch		12V
	3803852	1	Compressor, exch		24V, SOLAS
2	889996	1	Clutch		12V
	3588854	1	Clutch		24V
3	3848896	1	Idler pulley		SN-2006032252, Replaced by 21280913
	21280913	1	Idler pulley		SN-2006032252
			• Installation Instruction 7749376	7749376-EN	Idler Pulley
3	3847482	1	Idler pulley		SN2006032253-
4	959224	1	Hex. socket screw		
5		1	Protecting cover		
6	3582971	1	Bracket		
7	946472	2	Flange screw		
8	946329	2	Flange screw		
9	3588069	1	Bracket		
10	965186	2	Flange screw		
11	946472	2	Flange screw		
12	3588305	1	Belt tensioner		
13	950542	1	Pin		
14	947790	1	Flange screw		
15		1	Allen head screw		
16	21407026	1	Belt		

7746210-25-7253

20793

Upd:2012-02-24