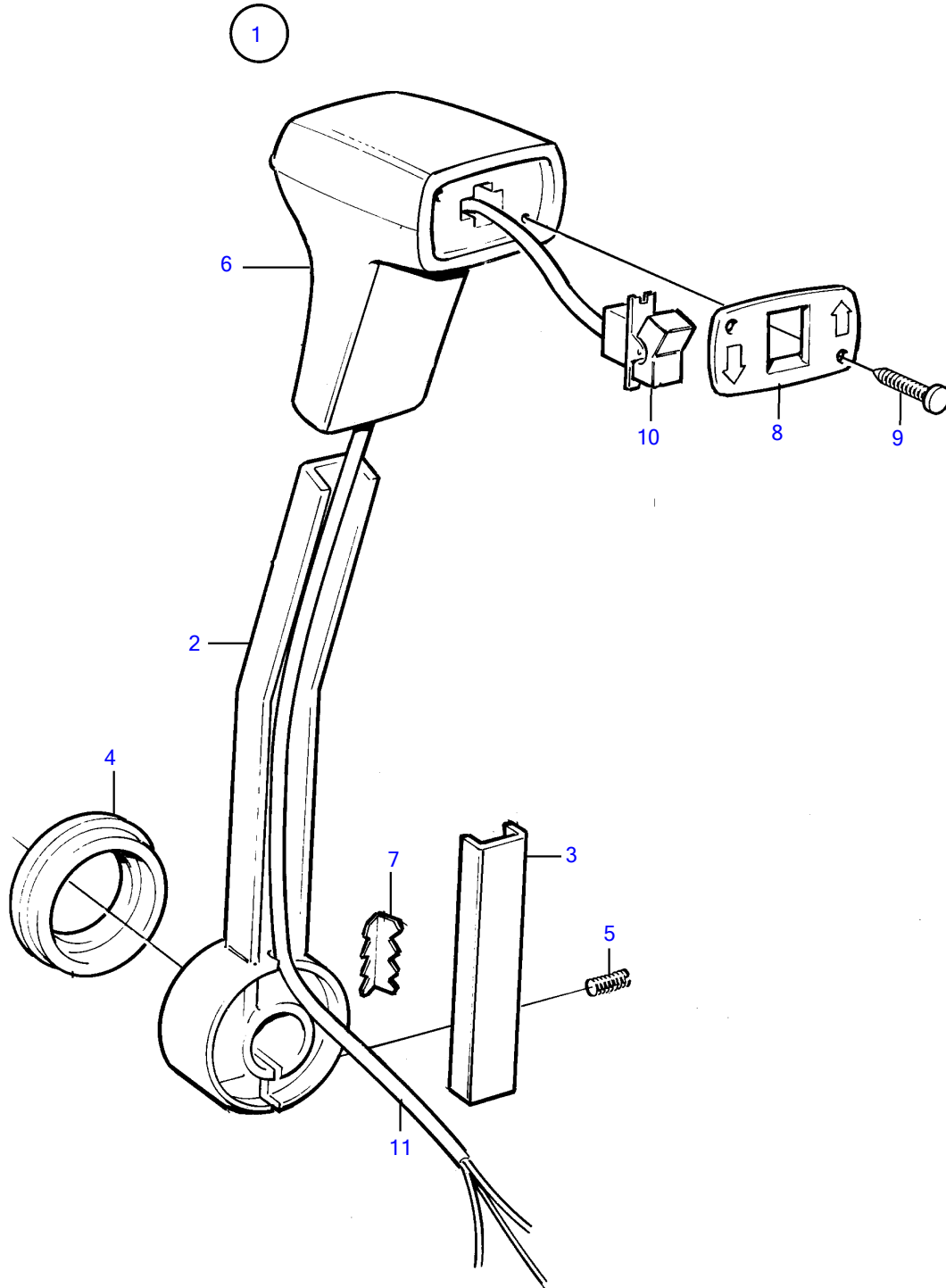


D6-280A-A, D6-280A-B, D6-280A-C, D6-280A-D, D6-280A-E, D6-280I-A, D6-280I-B, D6-280I-C, D6-280I-D, D6-280I-E, D6-310I-A, D6-310A-A, D6-310A-B, D6-310A-C, D6-310A-D, D6-310D-B, D6-310D-C, D6-310D-D, D6-310I-B, D6-310I-C, D6-310I-D, D6-330A-B, D6-330A-C, D6-330A-D, D6-330D-B, D6-330D-C, D6-330D-D, D6-330I-B, D6-330I-C, D6-330I-D, D6-350A-A, D6-350A-B, D6-370A-B, D6-370A-C, D6-370A-D, D6-370D-B, D6-370D-C, D6-370D-D, D6-370I-A, D6-370I-B, D6-370I-C, D6-370I-D, D6-310A-E, D6-310D-E, D6-310I-E, D6-330A-E, D6-330D-E, D6-330I-E, D6-370A-E, D6-370D-E, D6-370I-E, D6-400A-E, D6-435D-A, D6-435D-D, D6-435D-E, D6-435I-A, D6-435I-C, D6-435I-D, D6-435I-E, DPH-A, DPH-B, DPR-A, DPR-B, IPS-A, IPS-B, IPS-C, IPS-D, IPS-E, IPS-F



D6-280A-A, D6-280A-B, D6-280A-C, D6-280A-D, D6-280A-E, D6-280I-A, D6-280I-B, D6-280I-C, D6-280I-D, D6-280I-E, D6-310I-A, D6-310A-A, D6-310A-B, D6-310A-C, D6-310A-D, D6-310D-B, D6-310D-C, D6-310D-D, D6-310I-B, D6-310I-C, D6-310I-D, D6-330A-B, D6-330A-C, D6-330A-D, D6-330D-B, D6-330D-C, D6-330D-D, D6-330I-B, D6-330I-C, D6-330I-D, D6-350A-A, D6-350A-B, D6-370A-B, D6-370A-C, D6-370A-D, D6-370D-B, D6-370D-C, D6-370D-D, D6-370I-A, D6-370I-B, D6-370I-C, D6-370I-D, D6-310A-E, D6-310D-E, D6-310I-E, D6-330A-E, D6-330D-E, D6-330I-E, D6-370A-E, D6-370D-E, D6-370I-E, D6-400A-E, D6-435D-A, D6-435D-D, D6-435D-C, D6-435D-E, D6-435I-A, D6-435I-C, D6-435I-D, D6-435I-E, DPH-A, DPH-B, DPR-A, DPR-B, IPS-A, IPS-B, IPS-C, IPS-D, IPS-E, IPS-F

| REF | PART NO. | QTY | DESCRIPTION |
|-----|----------|-----|---------------------|
| 1 | 21186619 | 1 | Control lever |
| 2 | 828911 | 1 | • Hand lever |
| 3 | 852991 | 1 | • Rail |
| 4 | 852995 | 1 | • Ring |
| 5 | 963678 | 1 | • Hex. socket screw |
| 6 | 852989 | 1 | • Handle |
| 7 | 853000 | 1 | • Striker plate |
| 8 | 3818553 | 1 | • Connector cap |
| 9 | 853003 | 2 | • Nail |
| 10 | 853311 | 1 | • Switch |
| 11 | 3841734 | 1 | • Cable kit |