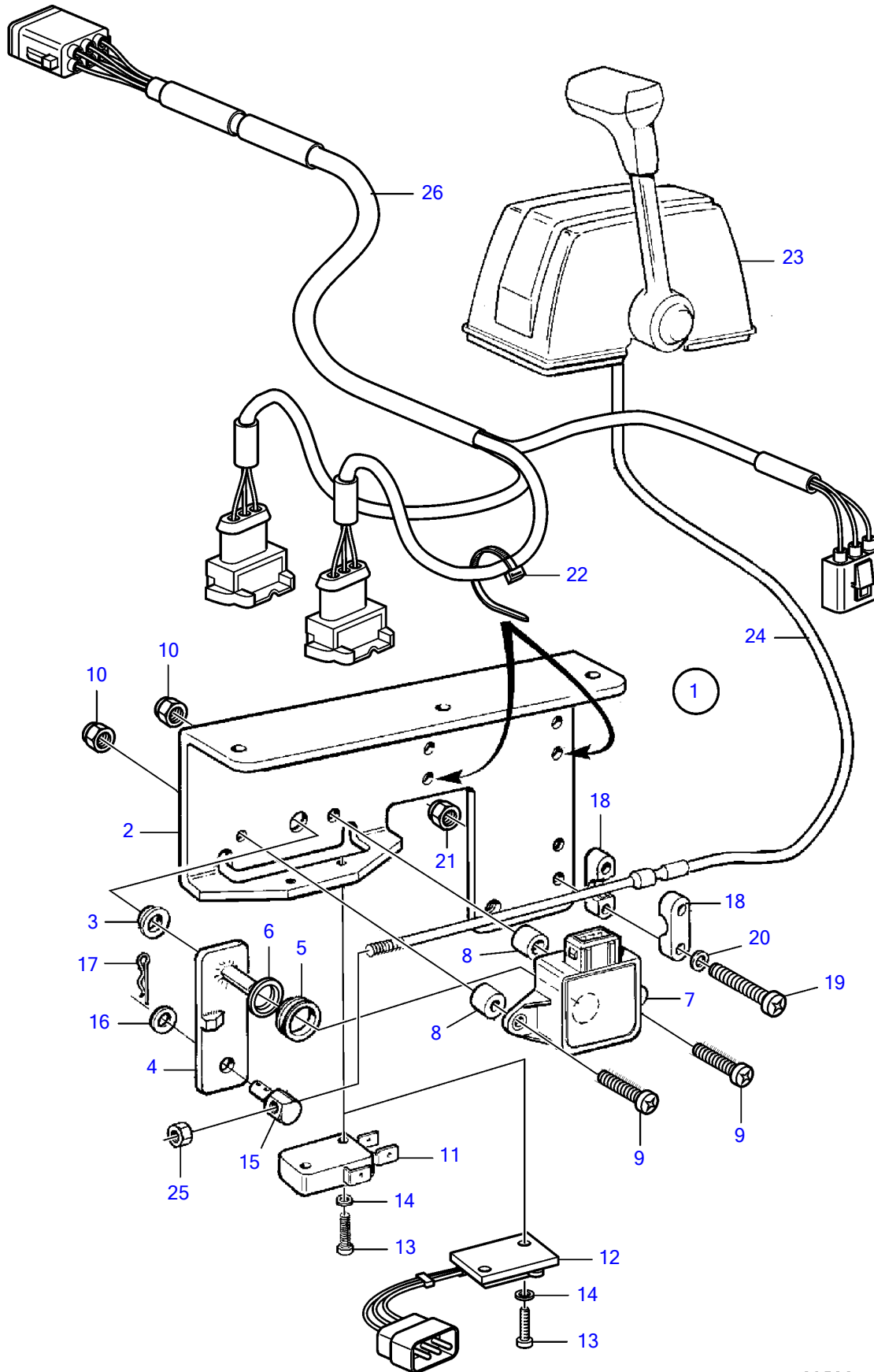


D6-280I-A, D6-280I-B, D6-280I-C, D6-280I-D, D6-310I-A, D6-310I-B, D6-310I-C, D6-310I-D, D6-330I-B, D6-330I-C, D6-330I-D, D6-370I-A, D6-370I-B, D6-370I-C, D6-370I-D, D6-435I-A, D6-435I-C, D6-435I-D



D6-280I-A, D6-280I-B, D6-280I-C, D6-280I-D, D6-310I-A, D6-310I-B, D6-310I-C, D6-310I-D, D6-330I-B, D6-330I-C, D6-330I-D, D6-370I-A, D6-370I-B, D6-370I-C, D6-370I-D, D6-435I-A, D6-435I-C, D6-435I-D

REF	PART NO.	QTY	DESCRIPTION	SEE SEC.	NOTES
1	3842182	1	Adapter		
2		1	• Bracket		
3	3829680	1	• Bushing		
4	3825366	1	• Intermediate lever		
5	943342	1	• Sealing ring		
6	3829681	1	• Washer		
7	1336385	1	• Potentiometer		
8	3825525	2	• Spacer sleeve		
9	969518	2	• 6 point socket screw		L=25mm
10	963103	2	• Lock nut		
11	850200	1	• Toggle switch		Early type
12	3842171	1	• Microswitch		Late type
13	956049	2	• Cross recessed screw		
14	955890	2	• Washer		
15	814082	1	• Cube		
16	955892	1	• Washer		
17	664822	1	• Split pin		
18	850361	2	• Cable attachment		
19	956081	2	• Cross recessed screw		
20	940090	2	• Washer		
21	949874	2	• Flange lock nut		
22	948211	2	• Cable tie		
23		1	Control		
24		1	Control cable	231	
25		1	• Nut		
26	874676	1	Cable kit		