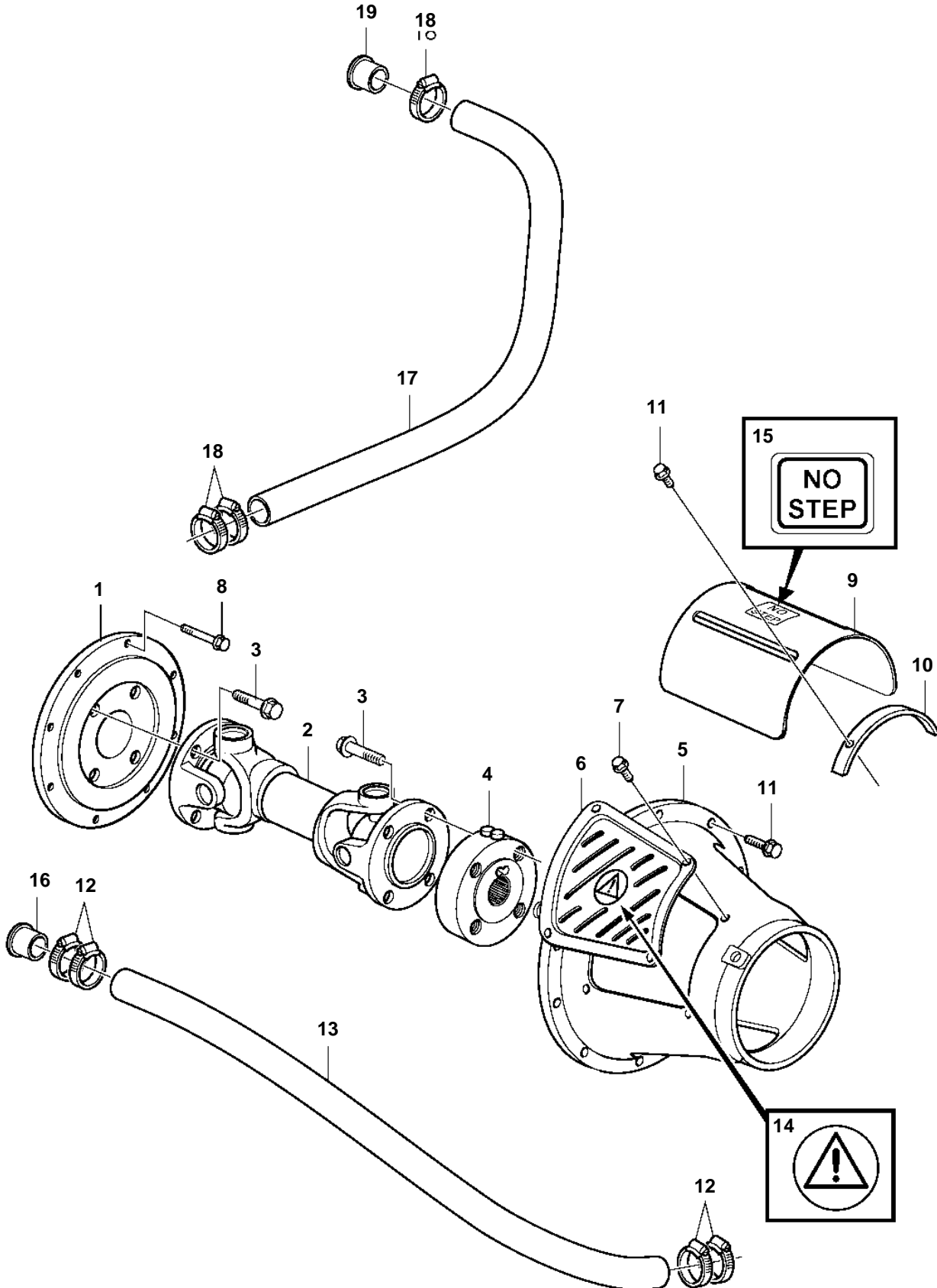


D4-260D-B, D4-260D-C, D4-260D-D, D4-300D-A, D4-300D-C, D4-300D-D



D4-260D-B, D4-260D-C, D4-260D-D, D4-300D-A, D4-300D-C, D4-300D-D

REF	PART NO.	QTY	DESCRIPTION	NOTES
1	3818451	1	Clutch	Replaced by 3847980
	3847980	1	Clutch	Replaced by 21111686
	21111686	1	Clutch	
2	3861048	X	Drive shaft	L=335mm
3	465826	8	Screw	
4	3862153	1	Flange	
5	3861047	1	Protecting casing	
6	3862871	2	Protecting screen	
7	968476	8	Flange screw	L=13mm
8	965186	8	Flange screw	L=50mm
9	3862515	1	Protecting plate	
10	3862869	1	Tensioning ring	
11	946752	14	Flange screw	L=35mm
12	961672	4	Hose clamp	STD/RISER (3584038)
13	3819570	1	Hose	Replaced by 1140670
	1140670	1	Exhaust hose	
14	3817024	2	Decal	
15	841144	1	Decal	
16	3883983	1	Sleeve	Ratio 2.08:1
17	3819572	1	Hose	Ratio 1.94:1, Ratio 1.82:1, STD/RISER, Replaced by 1140670
	1140670	1	Exhaust hose	L=780mm
18	961672	3	Hose clamp	Ratio 1.94:1, Ratio 1.82:1
19	3819914	1	Sleeve	Ratio 1.94:1, Ratio 1.82:1