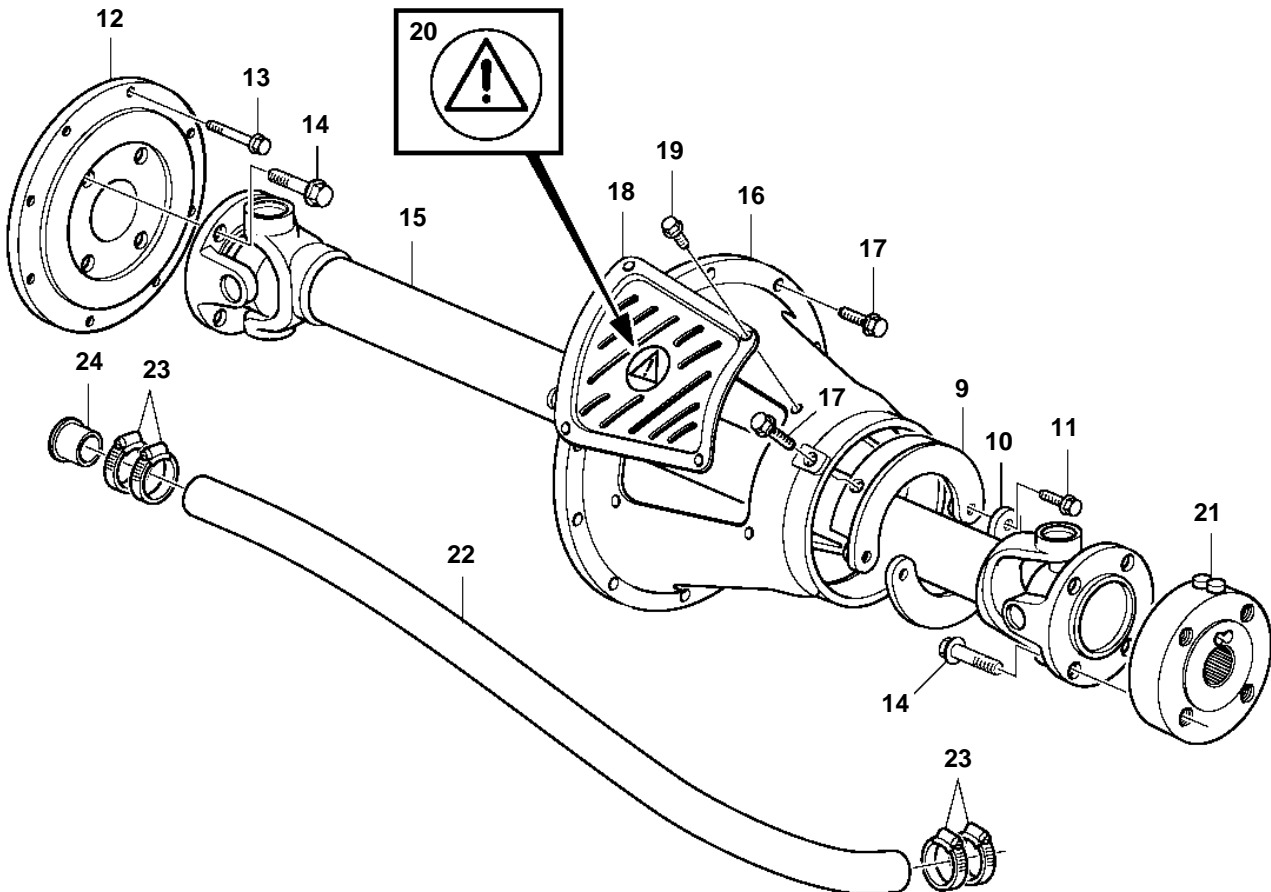
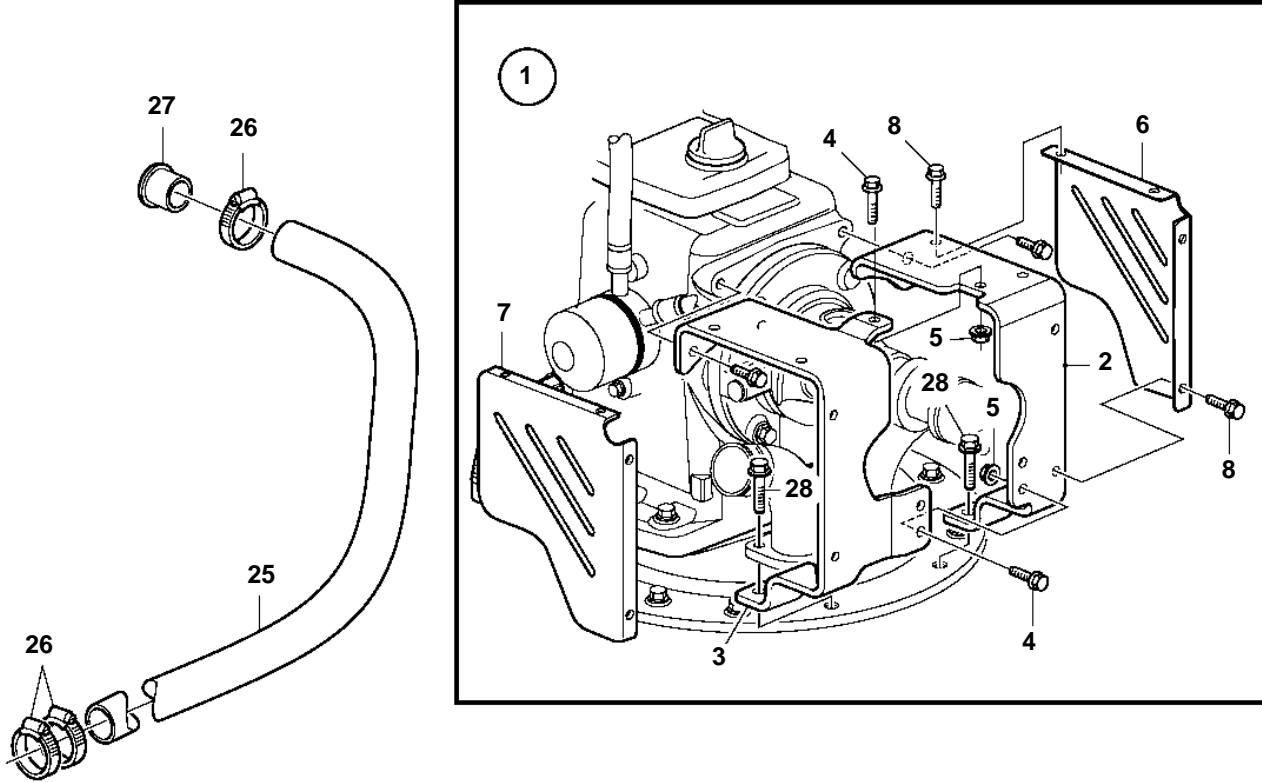


D4-260D-B, D4-260D-C, D4-260D-D, D4-300D-A, D4-300D-C, D4-300D-D



D4-260D-B, D4-260D-C, D4-260D-D, D4-300D-A, D4-300D-C, D4-300D-D

REF	PART NO.	QTY	DESCRIPTION	SEE SEC.	NOTES
1	3808326	1	Safety catch		
2	3812835	1	· Bracket		Port
3	3812812	1	· Bracket		Starboard
4	946472	5	· Flange screw		
5	971095	3	· Flange nut		
6	3812862	1	· Cardboard tube		
7	3812863	1	· Cardboard tube		
8	946173	8	· Flange screw		
9	3594012	1	· Safety catch		(3817570)
10	3817572	1	· Plate		
11	946329	2	· Flange screw		M10x25mm
12	3818451	1	Clutch		Replaced by 3847980
	3847980	1	Clutch		Replaced by 21111686
	21111686	1	Clutch		
13	965186	8	Flange screw		
14	465826	8	Screw		
15	3818295	1	Drive shaft		L=570-650MM
	3818293	1	Drive shaft		L=670-750MM
	3818292	1	Drive shaft		L=770-850MM
	3818291	1	Drive shaft		L=870-950MM
	3818290	1	Drive shaft		L=970-1050MM
	3818289	1	Drive shaft		L=1070-1150MM
	3818288	1	Drive shaft		L=1170-1250MM
	3817454	1	Drive shaft		L=1270-1350MM
	3817453	1	Drive shaft		L=1370-1450MM
	3817452	1	Drive shaft		L=1470-1550MM
	3817451	1	Drive shaft		L=1570-1650MM
	3817450	1	Drive shaft		L=1670-1750MM
16	3861047	1	Protecting casing		
17	946752	16	Flange screw		M10x35mm
18	3862871	2	Protecting screen		
19	968476	8	Flange screw		
20	3817024	2	Decal		
21	3862153	1	Flange		
22	3819573	1	Hose		Replaced by 1140670
	1140670	1	Exhaust hose		
23	961672	4	Hose clamp		
24	3883983	1	Sleeve		Ratio 2.08:1
25	3819572	1	Hose		Ratio 1.94:1, Ratio 1.82:1, Replaced by 1140670
	1140670	1	Exhaust hose		
26	961672	3	Hose clamp		Ratio 1.94:1, Ratio 1.82:1
27	3819914	1	Sleeve		Ratio 1.94:1, Ratio 1.82:1
28		2	Screw	21416	