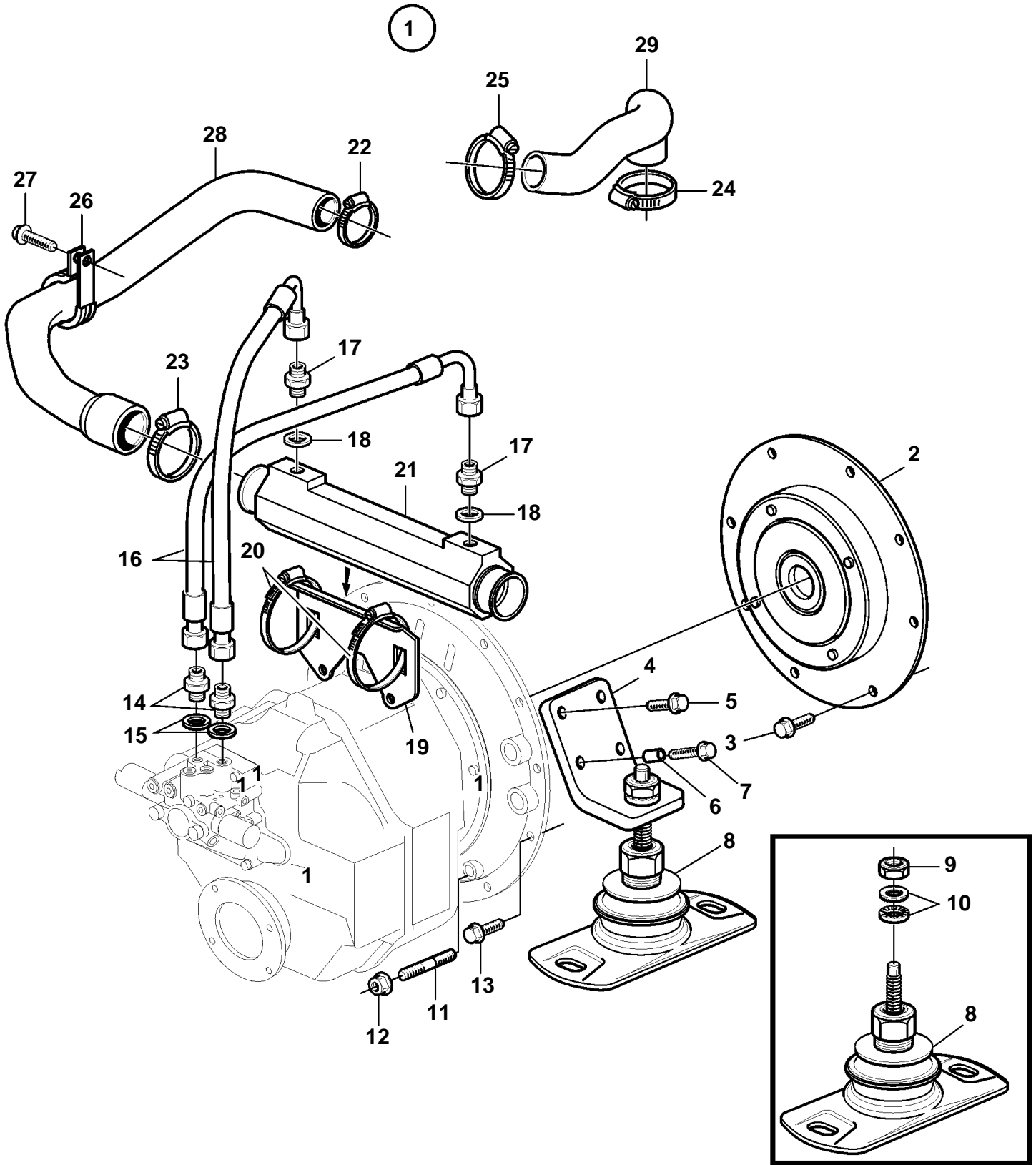


D4-300I-A



24961

D4-300I-A

REF	PART NO.	QTY	DESCRIPTION	SEE SEC.	NOTES
1		1	Connector kit		
2	3583843	1	· Vibration damper		
3	965185	8	· Flange screw		
4	3583620	1	· Engine bracket		
5	984709	2	· Flange screw		
6	973528	2	· Spacer sleeve		
7	984956	2	· Flange screw		
8	3595043	4	· Rubber cushion		
			· Bulletin P-21-8-1	P-21-8-1-EN	Comfort Engine Suspension
			· Bulletin P-08-2-2	P-08-2-2-EN	Measuring Gauge for Rubber Mounts
9	955786	1	· · Hexagon nut		
10	847766	1	· · Lock washer		
11	953067	2	· Stud		
12	971095	2	· Flange nut		
13	946752	10	· Flange screw		
14	941750	2	· Nipple		
15	11978	2	· Washer		
16	3584428	2	· Hose		
17	963948	2	· Nipple		
18	976930	2	· Gasket		
19	3584440	1	· Bracket		
20	943481	2	· Hose clamp		
21	3584435	1	· Oil cooler		
22	961671	1	· Hose clamp		
23	961672	1	· Hose clamp		
24	943478	1	· Hose clamp		
25	943479	1	· Hose clamp		
26	969354	1	· Clamp		
27	946440	1	· Flange screw		
28	3889729	1	· Hose		
29	3888922	1	· Hose		