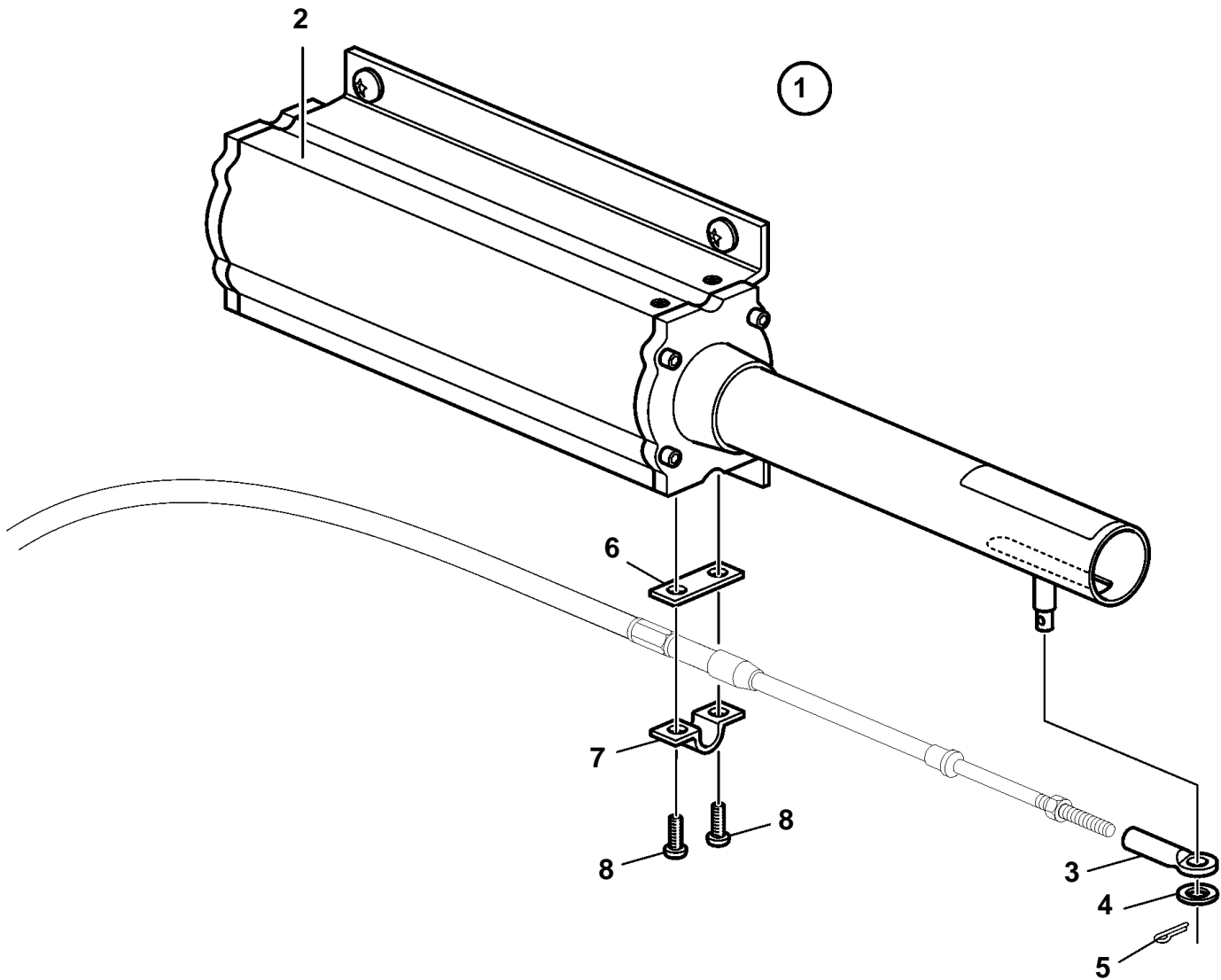


D4-210A-A, D4-210A-B, D4-225A-B, D4-225A-C, D4-225A-D, D4-260A-A, D4-260A-B, D4-260A-C, D4-260A-D, D4-300A-A, D4-300A-C, D4-300A-D, DPH-A, DPH-B, DPR-A, DPR-B



24272

D4-210A-A, D4-210A-B, D4-225A-B, D4-225A-C, D4-225A-D, D4-260A-A, D4-260A-B, D4-260A-C, D4-260A-D, D4-300A-A, D4-300A-C, D4-300A-D, DPH-A, DPH-B, DPR-A, DPR-B

REF	PART NO.	QTY	DESCRIPTION	NOTES
1	3817496	1	Actuator	Replaced by 21146097
	21146097	1	Actuator	
2		1	· Actuator	
3	3850941	1	· Adapter	
4	940191	1	· Washer	
5	17253	1	· Split pin	
6	819068	1	· Washer	
7	21471054	1	· Bracket	
8	973155	2	· 6 point socket screw	