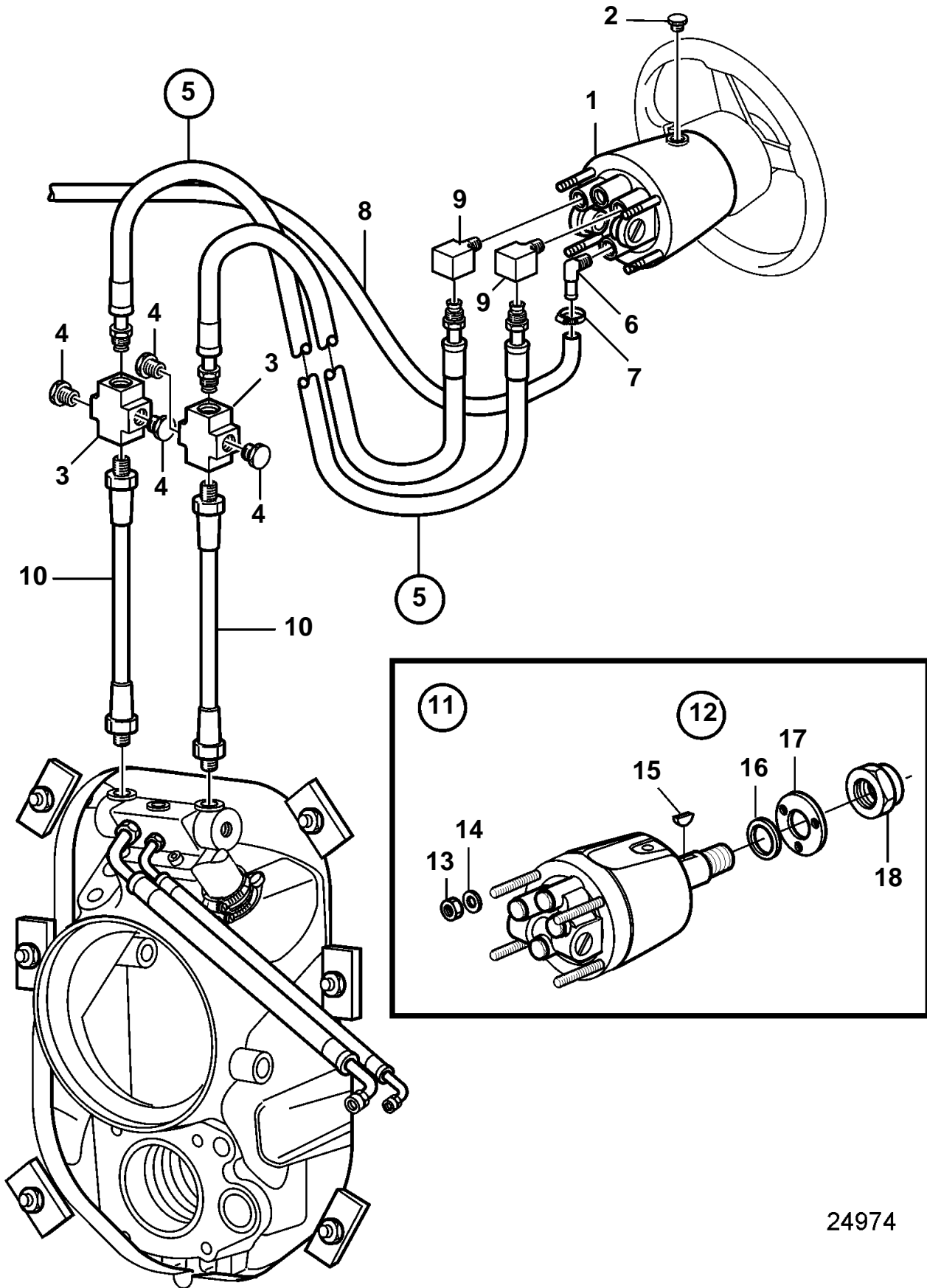


D4-210A-A, D4-210A-B, D4-225A-B, D4-225A-C, D4-225A-D, D4-260A-A, D4-260A-B, D4-260A-C, D4-260A-D, D4-300A-A, D4-300A-C, D4-300A-D



24974

D4-210A-A, D4-210A-B, D4-225A-B, D4-225A-C, D4-225A-D, D4-260A-A, D4-260A-B, D4-260A-C, D4-260A-D, D4-300A-A, D4-300A-C, D4-300A-D

REF	PART NO.	QTY	DESCRIPTION	NOTES
1	21349962	1	Pump	Std, (888154)
	21349964	1	Pump	TILT, (888155)
2	889171	1	Plug	ALT
	3588306	1	Plug, air venting	ALT
3	990205	2	X-nipple	
4	984377	4	Plug	
5	889150	1	Transom shield	L=0.5m
	889151	1	Transom shield	L=2,0m
	889152	1	Transom shield	L=13.0' (4.0m)
	889153	1	Transom shield	L=4,5m
	889154	1	Transom shield	L=5.0m
	889155	1	Transom shield	L=18.0' (5.5m)
	889156	1	Transom shield	L=6.0m
	889157	1	Transom shield	L=6,5m
	889158	1	Transom shield	L=7.0m
	889159	1	Transom shield	L=7,5m
	889160	1	Transom shield	L=8,0m
	889161	1	Transom shield	L=28.0' (8.5m)
	889162	1	Transom shield	L=9.0m
	889163	1	Transom shield	L=9,5m
	889164	1	Transom shield	L=10,0m
	889165	1	Transom shield	L=10,5m
	889167	1	Transom shield	L=11.0m
		1	Transom shield	L=11,5m
	889169	1	Transom shield	L=12,0m
6	947681	1	· Hose nipple	
7	961664	2	· Hose clamp	
8	889136	1	· Hose	L=23.0' (7.0m)
	889148	1	· Return hose	L=9.0m
9	3852525	2	· Fitting	(984412)
10	888202	2	Hose assembly	
11	21349962	1	Pump	
12	21384615	1	· Service kit	
13		4	· · Washer	
14		4	· · Nut	
15		1	· · Key	
16		1	· · Ring	
17		1	· · Sealing plate	
18		1	· · Nut	