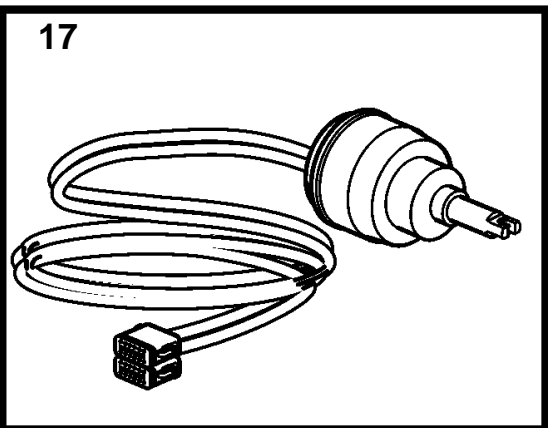
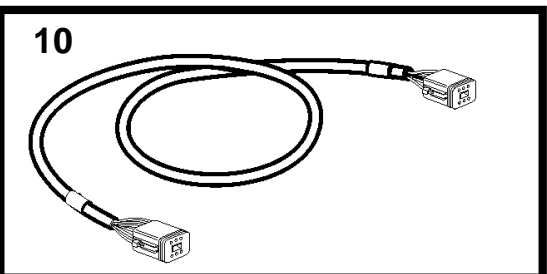
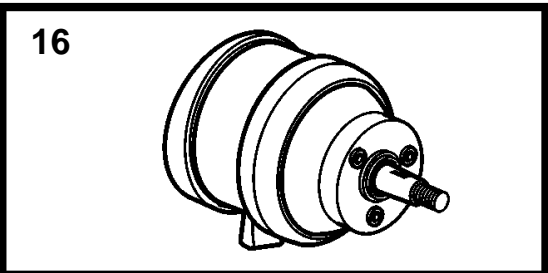
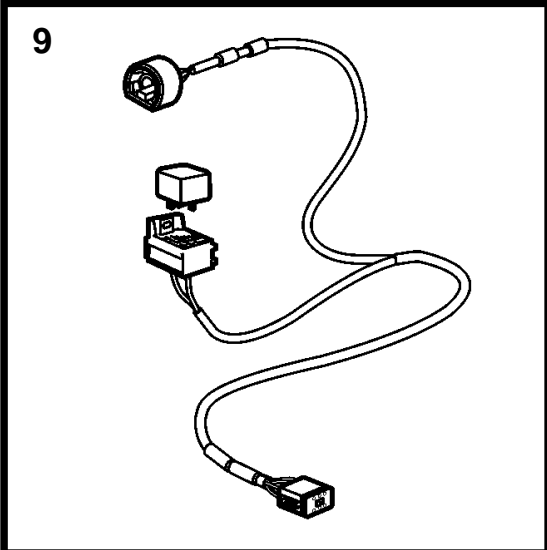
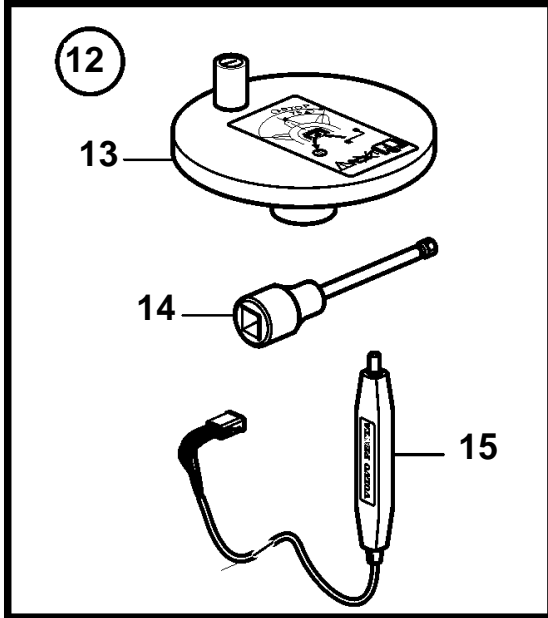
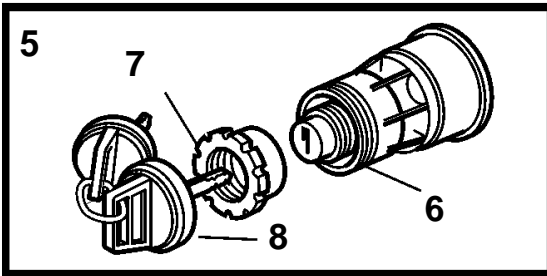
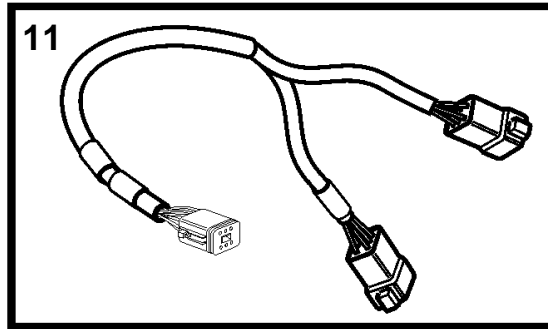
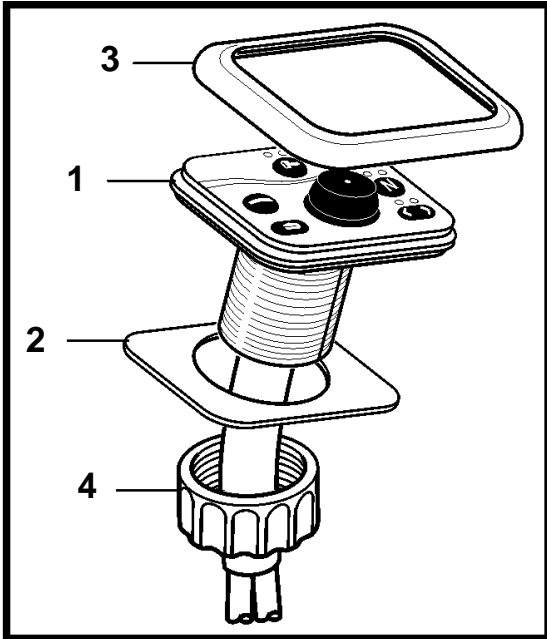


D4-260D-B, D4-260D-C, D4-260D-D, D4-300D-A, D4-300D-C, D4-300D-D



24994

D4-260D-B, D4-260D-C, D4-260D-D, D4-300D-A, D4-300D-C, D4-300D-D

REF	PART NO.	QTY	DESCRIPTION	SEE SEC.	NOTES
1	21310164	1	Control panel		
2	3808135	1	• Gasket		
3	3808131	1	• Frame		
4	3808134	1	• Nut		
5	3587070	1	Starter switch, set		Kit with 2 key switch with identical key.
6	3587071	1	Starter switch		
7	859955	1	• Plastic nut		
8	859953	1	• Key		State key code when ordering.
			• Bulletin 49-30	49-30-EN	Key P/N 859953
9	888004	2	Cable		Relay not included
10	3886666	3	Cable		
11	3588206	2	Cable kit		
12	3812065	1	Kit		
13	3809570	1	• Crank		
14	3863070	1	• Tool		
15	3812541	1	• Breaker		
16	3841280	1	Steering wheel adjus		
17	3808380	1	Kit		