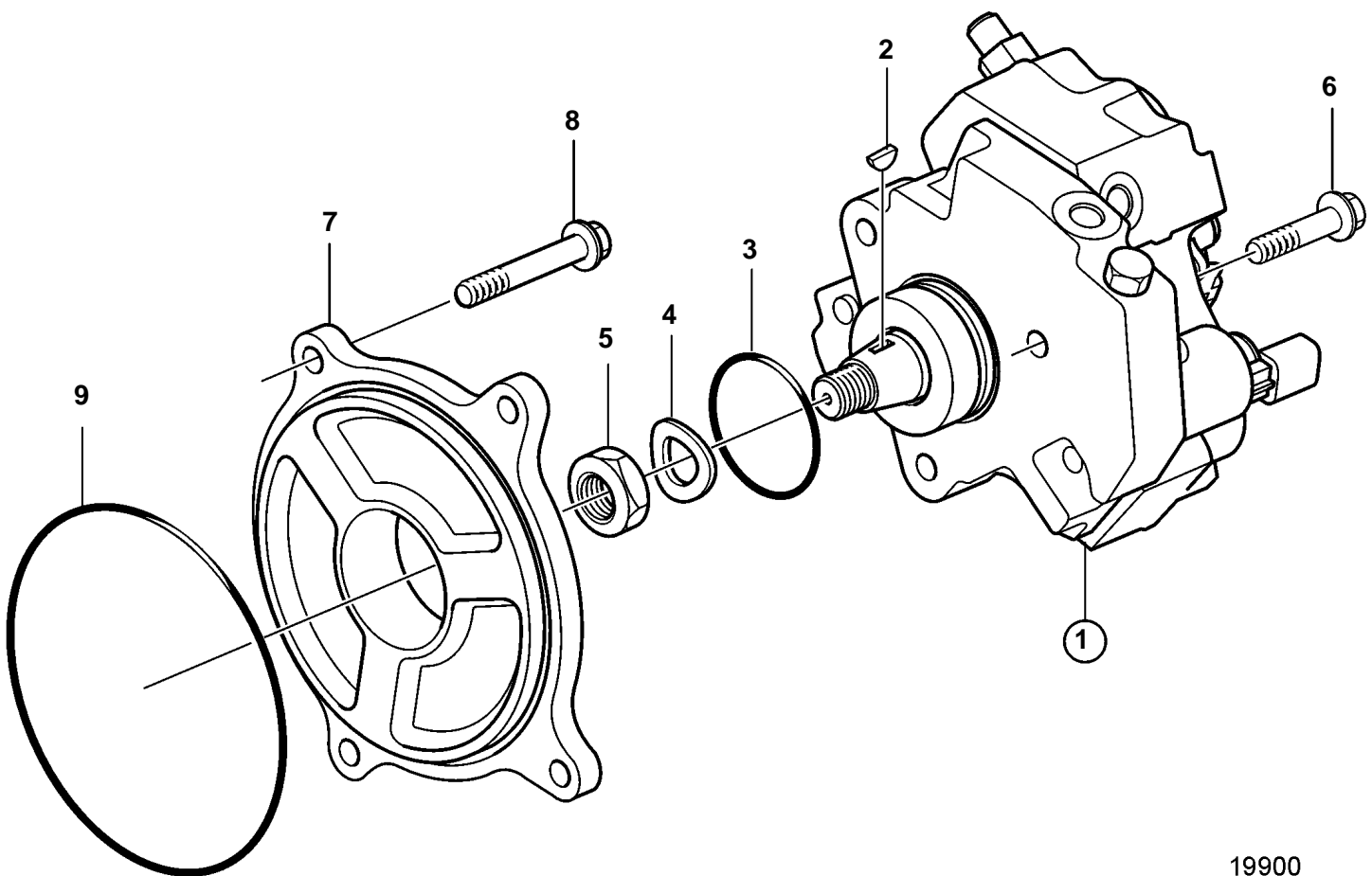


D4-180I-B, D4-180I-C, D4-180I-D, D4-210A-A, D4-210A-B, D4-210I-A, D4-210I-B, D4-225A-B, D4-225A-C, D4-225A-D, D4-225I-B, D4-225I-C, D4-225I-D, D4-260A-A, D4-260A-B, D4-260A-C, D4-260A-D, D4-260D-B, D4-260D-C, D4-260D-D, D4-260I-A, D4-260I-B, D4-260I-C, D4-260I-D, D4-300A-A, D4-300A-C, D4-300A-D, D4-300D-A, D4-300D-C, D4-300D-D, D4-300I-A, D4-300I-C, D4-300I-D



19900

D4-180I-B, D4-180I-C, D4-180I-D, D4-210A-A, D4-210A-B, D4-210I-A, D4-210I-B, D4-225A-B, D4-225A-C, D4-225A-D, D4-225I-B, D4-225I-C, D4-225I-D, D4-260A-A, D4-260A-B, D4-260A-C, D4-260A-D, D4-260D-B, D4-260D-C, D4-260D-D, D4-260I-A, D4-260I-B, D4-260I-C, D4-260I-D, D4-300A-A, D4-300A-C, D4-300A-D, D4-300D-A, D4-300D-C, D4-300D-D, D4-300I-A, D4-300I-C, D4-300I-D

| REF | PART NO. | QTY | DESCRIPTION         | NOTES  |
|-----|----------|-----|---------------------|--------|
| 1   | 3803633  | 1   | High-pressure pump, |        |
| 2   | 243734   | 1   | · Woodruff key      |        |
| 3   | 8631580  | 1   | · O-ring            |        |
| 4   | 3588228  | 1   | · Spring washer     |        |
| 5   | 3588229  | 1   | · Hexagon nut       |        |
| 6   | 947760   | 3   | Flange screw        | L=40mm |
| 7   | 3885130  | 1   | Intermediate plate  |        |
| 8   | 965217   | 4   | Flange screw        | L=65mm |
| 9   | 948888   | 1   | O-ring              |        |