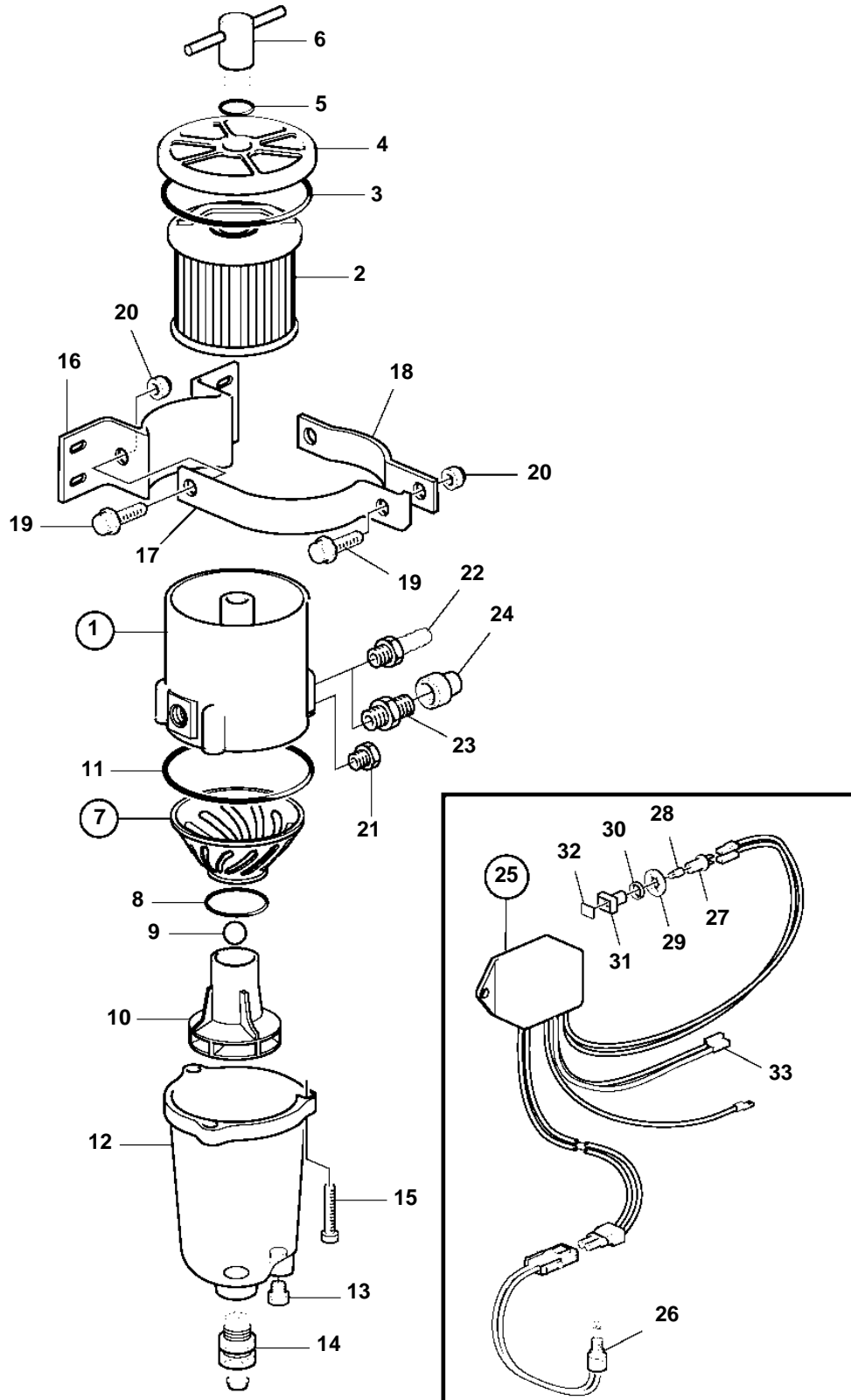


D4-180I-B, D4-180I-C, D4-180I-D, D4-210A-A, D4-210A-B, D4-210I-A, D4-210I-B, D4-225A-B, D4-225A-C, D4-225A-D, D4-225I-B, D4-225I-C, D4-225I-D, D4-260A-A, D4-260A-B, D4-260A-C, D4-260A-D, D4-260D-B, D4-260D-C, D4-260D-D, D4-260I-A, D4-260I-B, D4-260I-C, D4-260I-D, D4-300A-A, D4-300A-C, D4-300A-D, D4-300D-A, D4-300D-C, D4-300D-D, D4-300I-A, D4-300I-C, D4-300I-D



D4-180I-B, D4-180I-C, D4-180I-D, D4-210A-A, D4-210A-B, D4-210I-A, D4-210I-B, D4-225A-B, D4-225A-C, D4-225A-D, D4-225I-B, D4-225I-C, D4-225I-D, D4-260A-A, D4-260A-B, D4-260A-C, D4-260A-D, D4-260D-B, D4-260D-C, D4-260D-D, D4-260I-A, D4-260I-B, D4-260I-C, D4-260I-D, D4-300A-A, D4-300A-C, D4-300A-D, D4-300D-A, D4-300D-C, D4-300D-D, D4-300I-A, D4-300I-C, D4-300I-D

REF	PART NO.	QTY	DESCRIPTION	SEE SEC.	NOTES
1	861143	1	Fuel filter		REPL BY 877762
			· Bulletin 50-03	50-03-EN	Extra Fuel/Water Separators, D2010, D22
			· Bulletin 50-10	50-10-EN	Changes in Fuel Filter Program due to Legislation
			· Bulletin 50-11A	50-11A-EN	Fuel Filters / Water Separators
1	877762	1	Fuel filter		
				9024	
2	861014	1	· Insert		
3	838504	1	· Gasket		
4		1	· Lock		
5	838505	1	· O-ring		
6		1	· Handle		
7	861455	1	· O-ring		
8		1	· · O-ring		
9		1	· · Ball		
10		1	· · · Insert		
11	3838861	1	· · Gasket		(838502)
12	3838848	1	· Bowl		(861453)
13		1	· Plug		
14	861456	1	· Faucet		
15	950024	4	· Cross recessed screw		
16		1	· Bracket		
17		1	· Clamp		
18		1	· Clamp		
19		3	· Screw		
20		3	· Nut		
21		1	· Plug		
22	3825000	X	Hose nipple		(834781)
23	954337	X	Nipple		
24	954323	X	Fitting nut		
25	1140724	1	Level guard		
26	3588916	1	· Alarm kit		
27	808175	1	· Lamp socket		
28	19923	1	· Bulb		12V, 2W
	182059	1	· Bulb		24V, 3W
29	967583	1	· Retainer		
30	829714	1	· Sealing ring		
31	838455	1	· Retainer		
32	872591	1	· Symbol strip		
33		X	· Cables and terminals	1963	