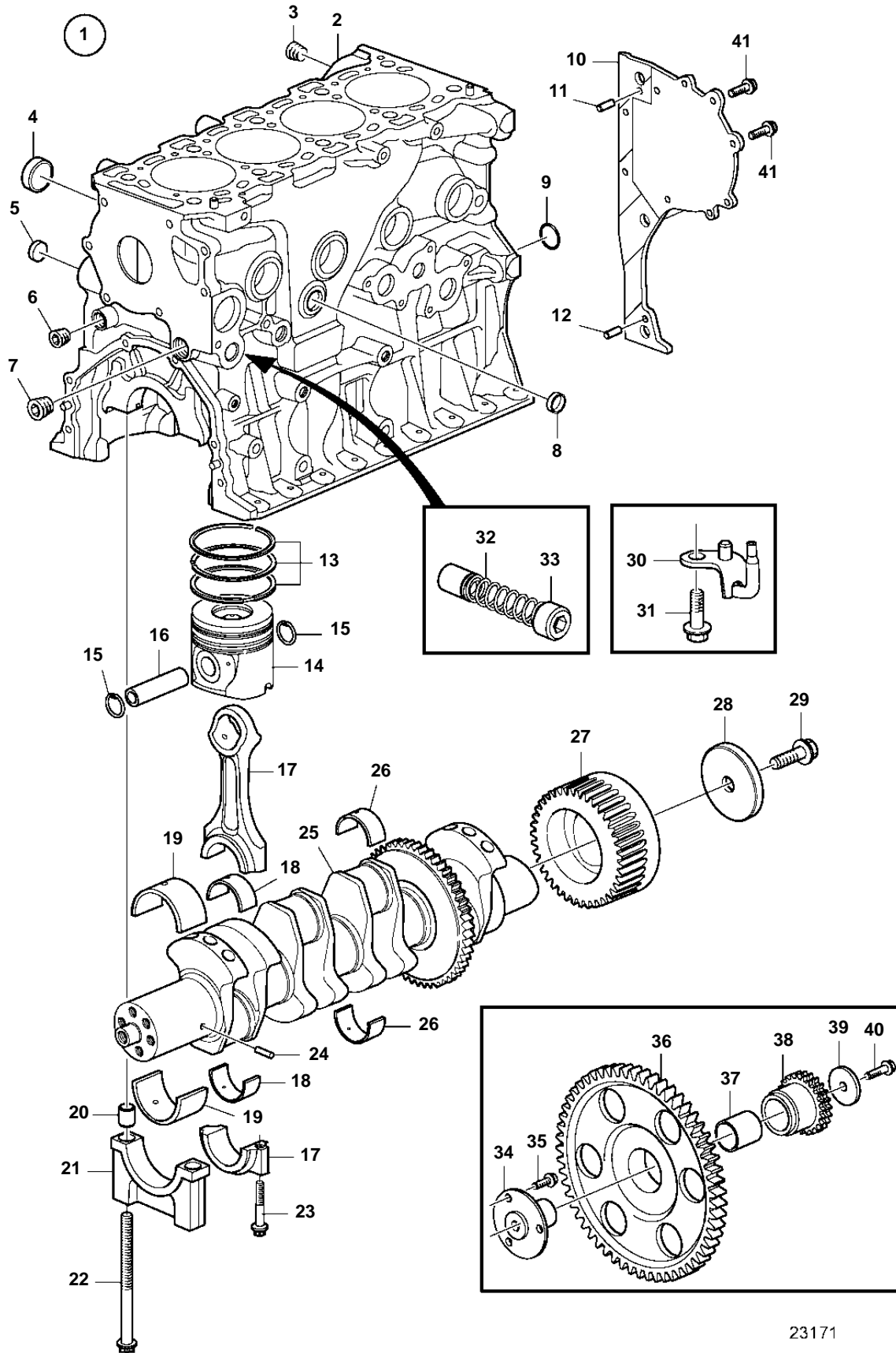


D4-180I-B, D4-180I-C, D4-180I-D, D4-210A-A, D4-210A-B, D4-210I-A, D4-210I-B, D4-225A-B, D4-225A-C, D4-225A-D, D4-225I-B, D4-225I-C, D4-225I-D, D4-260A-A, D4-260A-B, D4-260A-C, D4-260A-D, D4-260D-B, D4-260D-C, D4-260D-D, D4-260I-A, D4-260I-B, D4-260I-C, D4-260I-D



23171

D4-180I-B, D4-180I-C, D4-180I-D, D4-210A-A, D4-210A-B, D4-210I-A, D4-210I-B, D4-225A-B, D4-225A-C, D4-225A-D, D4-225I-B, D4-225I-C, D4-225I-D, D4-260A-A, D4-260A-B, D4-260A-C, D4-260A-D, D4-260D-B, D4-260D-C, D4-260D-D, D4-260I-A, D4-260I-B, D4-260I-C, D4-260I-D

REF	PART NO.	QTY	DESCRIPTION	SEE SEC.	NOTES
1	3801352	1	Short block, exch		(3801251)
			· Bulletin P-21-0-23	P-21-0-23-EN	New Exchange Units for Volvo Penta Engines
2		X	· Cylinder block		
3		X	· Plug		
4		X	· Cap plug		
5		X	· Cap plug		
6		X	· Plug		
7		X	· Plug		
8		X	· Cap plug		
9		X	· O-ring		
10		X	· Plate		
11		X	· Pin		
12		X	· Pin		
13		X	· Piston ring		
14		X	· Piston		
15		X	· Lock ring		
16		X	· Piston pin		
17		X	· Connecting rod		
18		X	· Rod bearing		
19		X	· Main bearing		
20		X	· Guide sleeve		
21		X	· Main bearing cap		
22		X	· Screw		
23		X	· Screw		
24		X	· Pin		
25		X	· Crankshaft		
26		X	· Flange bearing		
27		X	· Gear		
28		X	· Washer		
29		X	· Screw		
30		X	· Oil jet		
31		X	· Screw		
32		X	· Oil valve		
33		X	· Plug		
34		X	· Hub		
35		X	· Flange screw		
36		X	· Idler gear		
37		X	· Bushing		
38		X	· Sprocket		
39		X	· Washer		
40		X	· Flange screw		
41		X	· Screw		