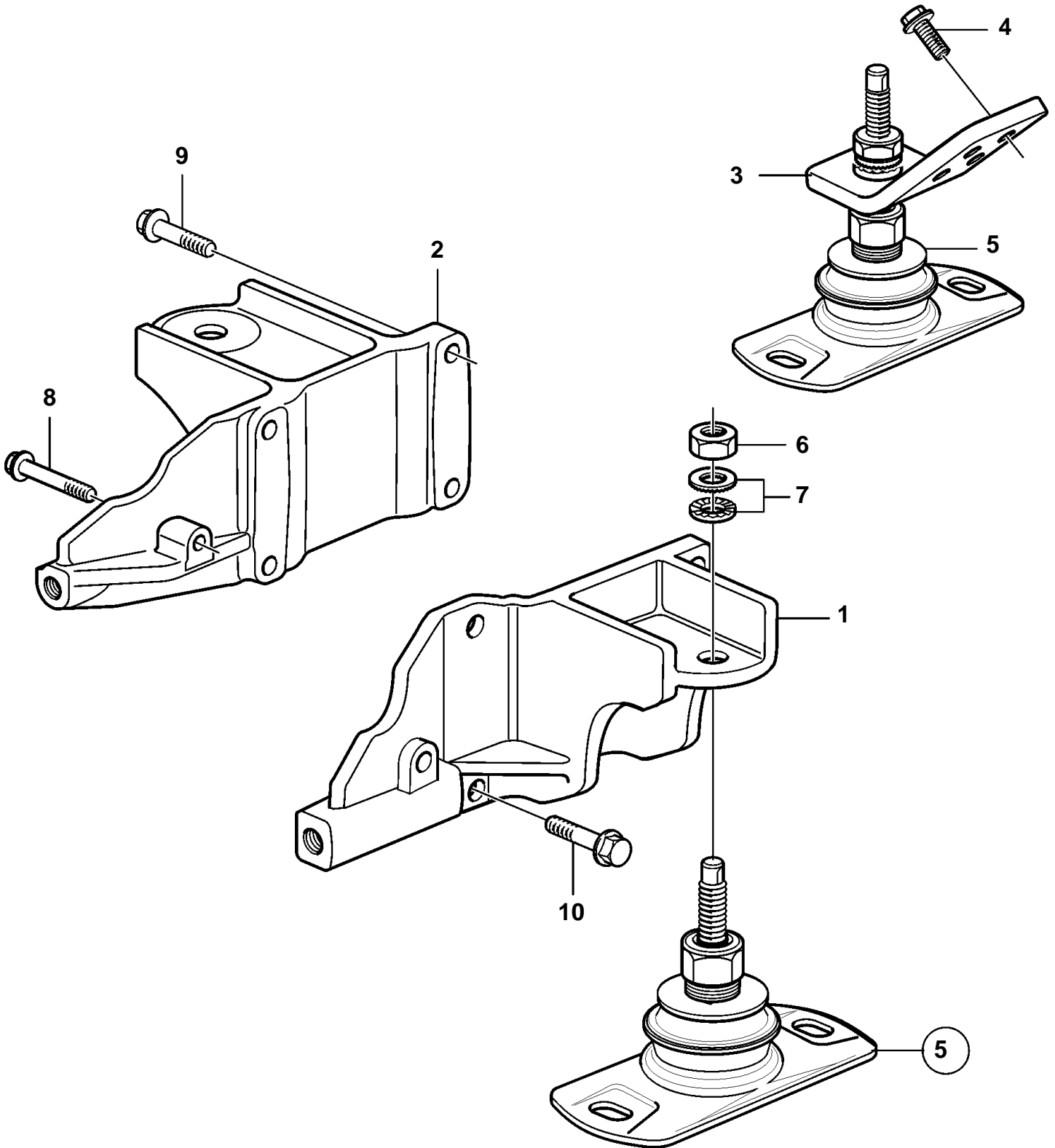


D4-180I-B, D4-210I-A, D4-210I-B, D4-225I-B, D4-260D-B, D4-260I-A, D4-260I-B, D4-300D-A, D4-300I-A



23893

D4-180I-B, D4-210I-A, D4-210I-B, D4-225I-B, D4-260D-B, D4-260I-A, D4-260I-B, D4-300D-A, D4-300I-A

REF	PART NO.	QTY	DESCRIPTION	SEE SEC.	NOTES
1	3583516	1	Engine bracket		
2	3807719	1	Engine bracket		S.B, Front
3	3583620	2	Engine bracket		REAR
4	965192	8	Flange screw		L=40mm
5	3595043	4	Rubber cushion		
			· Bulletin P-21-8-1	P-21-8-1-EN	Comfort Engine Suspension
			· Bulletin P-08-2-2	P-08-2-2-EN	Measuring Gauge for Rubber Mounts
6	955786	1	· Hexagon nut		
7	847766	1	· Lock washer		
8	965188	1	Flange screw		L=70mm
9	965192	8	Flange screw		L=40mm
10	965186	1	Flange screw		L=50mm