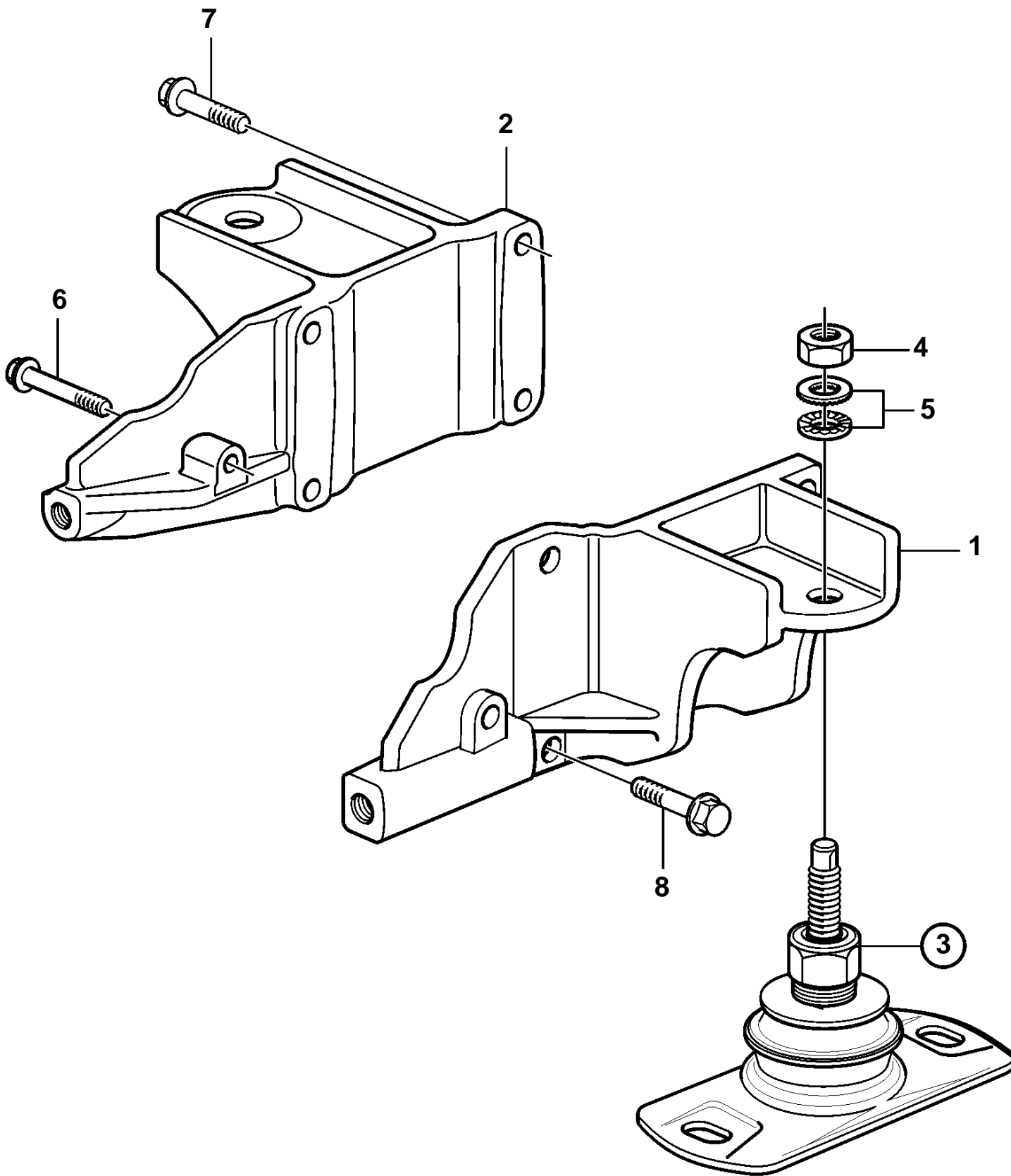


D4-210A-A, D4-210A-B, D4-225A-B, D4-260A-A, D4-260A-B, D4-260D-B, D4-300A-A, D4-300D-A



23894

D4-210A-A, D4-210A-B, D4-225A-B, D4-260A-A, D4-260A-B, D4-260D-B, D4-300A-A, D4-300D-A

REF	PART NO.	QTY	DESCRIPTION	SEE SEC.	NOTES
1	3583516	1	Engine bracket		
2	3807719	1	Engine bracket		S.B, Front
3	3595043	2	Rubber cushion		
			· Bulletin P-21-8-1	P-21-8-1-EN	Comfort Engine Suspension
			· Bulletin P-08-2-2	P-08-2-2-EN	Measuring Gauge for Rubber Mounts
4	955786	1	· Hexagon nut		
5	847766	1	· Lock washer		
6	965188	1	Flange screw		L=70mm
7	965183	8	Flange screw		L=90mm
8	965186	1	Flange screw		L=50mm