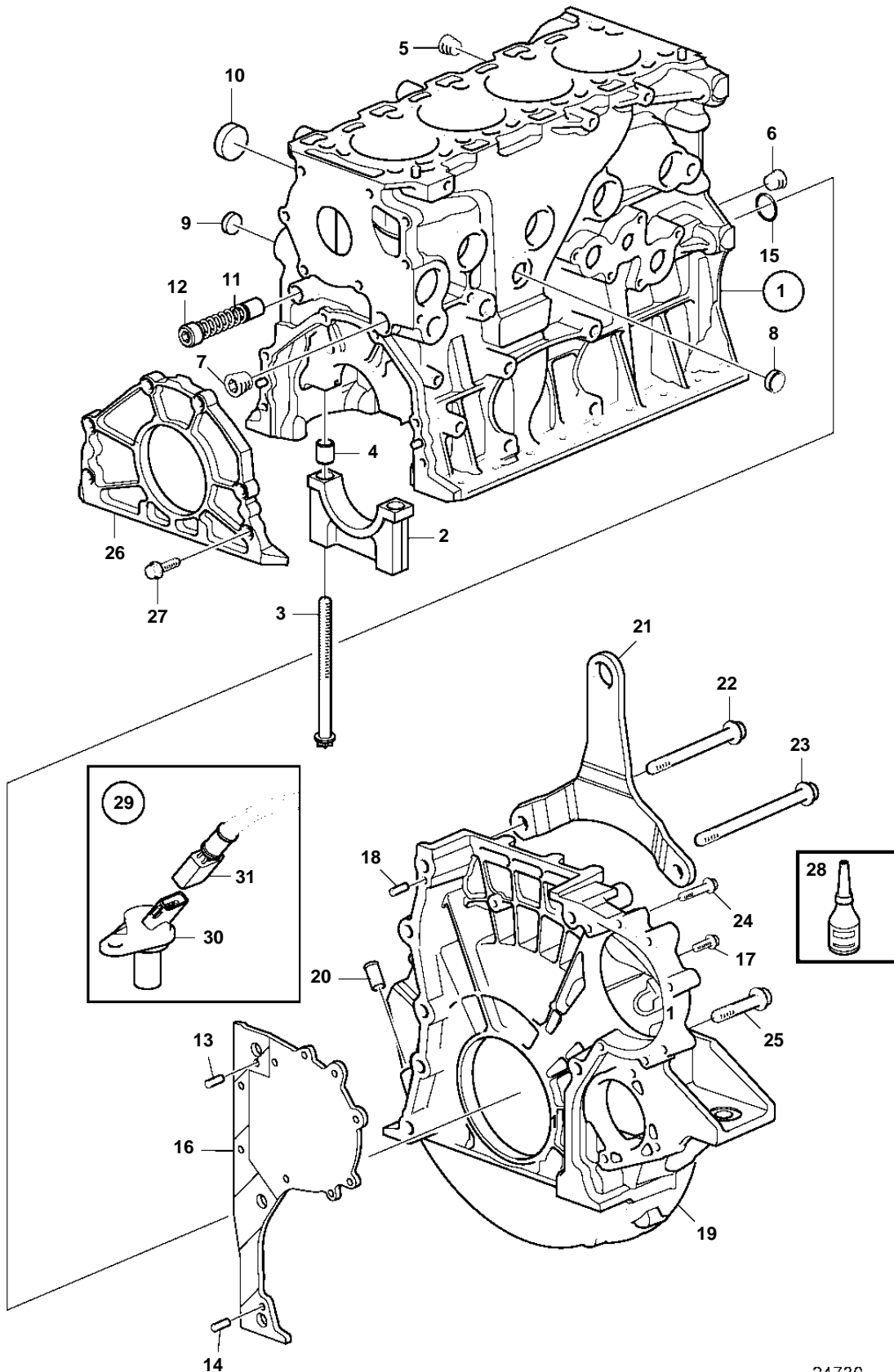


D4-180I-B, D4-180I-C, D4-180I-D, D4-210A-A, D4-210A-B, D4-210I-A, D4-210I-B, D4-225A-B, D4-225A-C, D4-225A-D, D4-225I-B, D4-225I-C, D4-225I-D, D4-260A-A, D4-260A-B, D4-260A-C, D4-260A-D, D4-260D-B, D4-260D-C, D4-260D-D, D4-260I-A, D4-260I-B, D4-260I-C, D4-260I-D, D4-300A-A, D4-300A-C, D4-300A-D, D4-300D-A, D4-300D-C, D4-300D-D, D4-300I-A, D4-300I-C, D4-300I-D



D4-180I-B, D4-180I-C, D4-180I-D, D4-210A-A, D4-210A-B, D4-210I-A, D4-210I-B, D4-225A-B, D4-225A-C, D4-225A-D, D4-225I-B, D4-225I-C, D4-225I-D, D4-260A-A, D4-260A-B, D4-260A-C, D4-260A-D, D4-260D-B, D4-260D-C, D4-260D-D, D4-260I-A, D4-260I-B, D4-260I-C, D4-260I-D, D4-300A-A, D4-300A-C, D4-300A-D, D4-300D-A, D4-300D-C, D4-300D-D, D4-300I-A, D4-300I-C, D4-300I-D

| REF | PART NO. | QTY | DESCRIPTION            | NOTES                                                                                            |
|-----|----------|-----|------------------------|--------------------------------------------------------------------------------------------------|
| 1   |          | 1   | Cylinder block         |                                                                                                  |
| 2   |          | 5   | · Main bearing cap     |                                                                                                  |
| 3   | 3581876  | 10  | · Screw                |                                                                                                  |
| 4   | 3584214  | 10  | · Guide sleeve         |                                                                                                  |
| 5   | 968061   | 1   | · Plug                 |                                                                                                  |
| 6   | 968063   | 2   | · Plug                 |                                                                                                  |
| 7   | 979947   | 2   | · Plug                 |                                                                                                  |
| 8   | 3583447  | 1   | · Cap plug             |                                                                                                  |
| 9   | 24426721 | 4   | · Cap plug             |                                                                                                  |
| 10  | 8131707  | 9   | · Cap plug             |                                                                                                  |
| 11  | 3583079  | 1   | · Piston cooling valve |                                                                                                  |
| 12  | 982121   | 1   | · Plug                 |                                                                                                  |
| 13  | 950562   | 1   | Pin                    |                                                                                                  |
| 14  | 950566   | 1   | Pin                    |                                                                                                  |
| 15  | 3843507  | 1   | O-ring                 |                                                                                                  |
| 16  | 3582847  | 1   | Plate                  |                                                                                                  |
| 17  | 946173   | 2   | Flange screw           |                                                                                                  |
| 18  | 950564   | 5   | Pin                    |                                                                                                  |
| 19  | 3847475  | 1   | Flywheel housing       | SN-2004017198, Replaced by 1pc flywheel housing 40005734 and 1pc tachometer sender kit 21109100. |
|     | 40005734 | 1   | Flywheel housing       | SN2004017199-                                                                                    |
| 20  | 3583622  | 1   | Hose connection        |                                                                                                  |
| 21  |          | 1   | Lifting eye            |                                                                                                  |
| 22  | 966371   | 1   | Flange screw           |                                                                                                  |
| 23  | 966368   | 2   | Flange screw           |                                                                                                  |
| 24  | 973924   | 3   | Flange screw           |                                                                                                  |
| 25  | 966364   | 5   | Flange screw           |                                                                                                  |
| 26  | 3582750  | 1   | Cardboard tube         |                                                                                                  |
| 27  | 946671   | 6   | Flange screw           |                                                                                                  |
| 28  | 888661   | X   | Adhesive               | 300ml                                                                                            |
| 29  | 21109100 | 1   | Sensor kit             | SN-2004017198, Replaced by 1pc flywheel housing 40005734 and 1pc tachometer sender kit 21109100. |
| 30  | 20513343 | 1   | · Sensor               |                                                                                                  |
| 31  | 21138237 | 1   | · Wiring harness       |                                                                                                  |