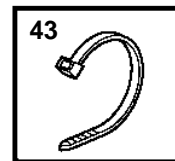
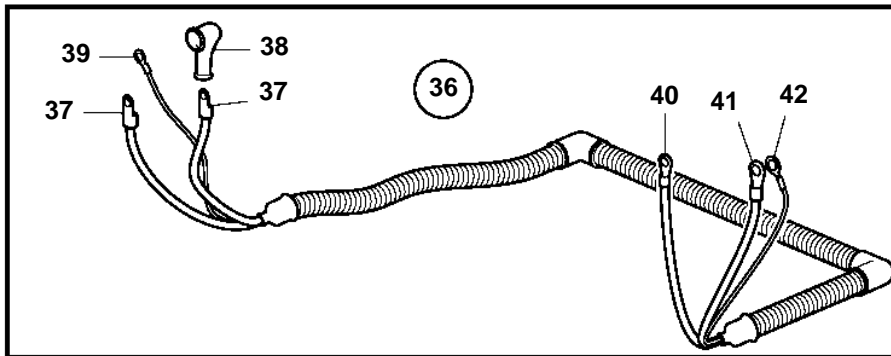
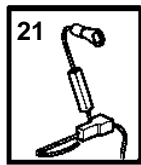
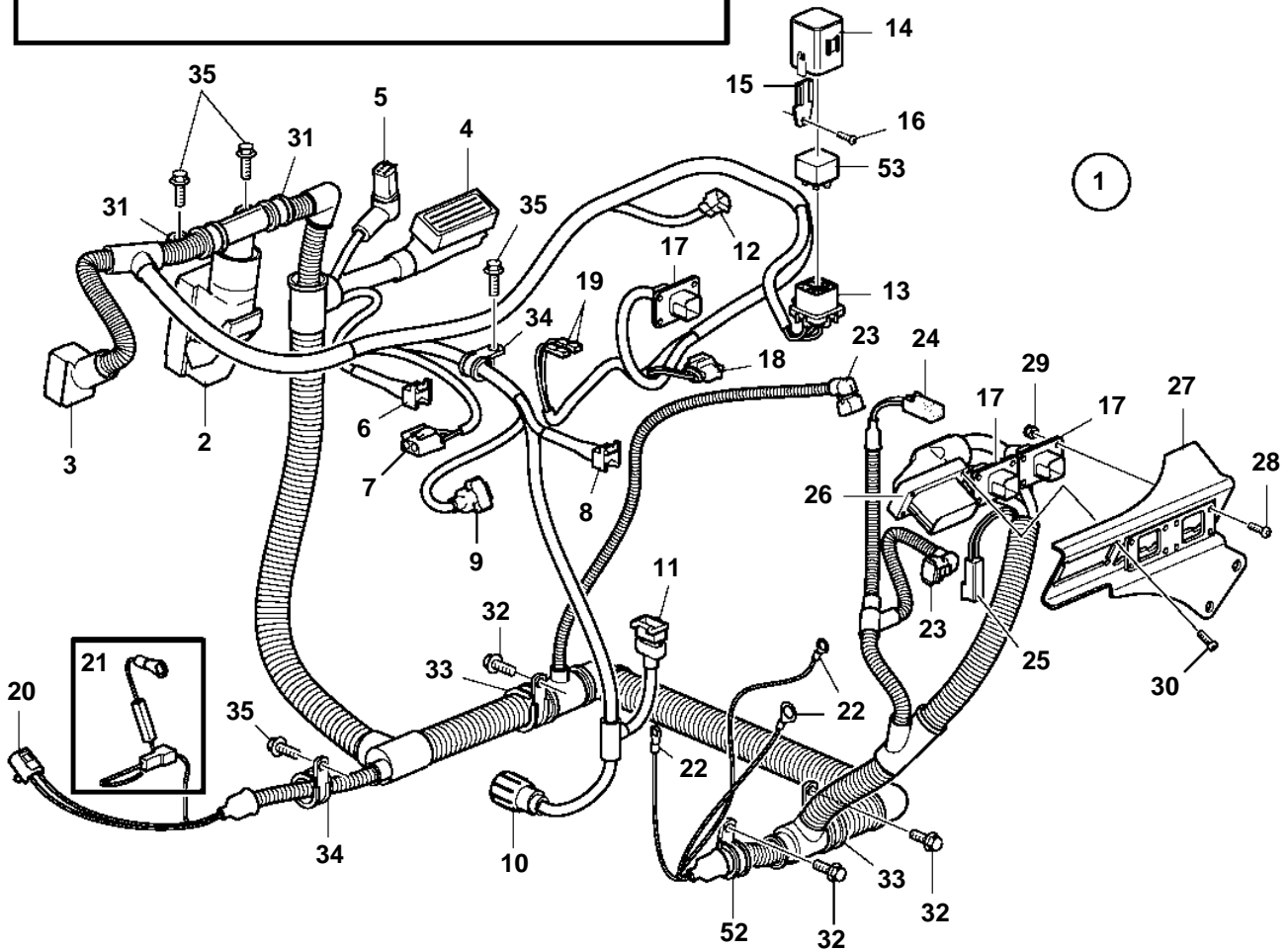
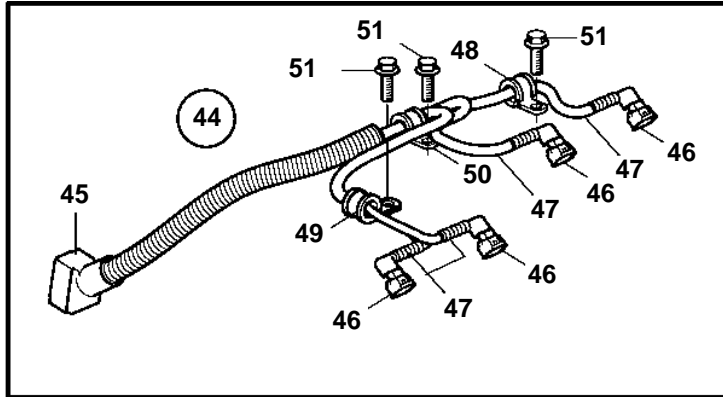


D4-180I-B, D4-180I-C, D4-180I-D, D4-210A-A, D4-210A-B, D4-210I-A, D4-210I-B, D4-225A-B, D4-225A-C, D4-225A-D, D4-225I-B, D4-225I-C, D4-225I-D, D4-260A-A, D4-260A-B, D4-260A-C, D4-260A-D, D4-260D-B, D4-260D-C, D4-260D-D, D4-260I-A, D4-260I-B, D4-260I-C, D4-260I-D, D4-300A-A, D4-300A-C, D4-300A-D, D4-300D-A, D4-300D-C, D4-300D-D, D4-300I-A, D4-300I-C, D4-300I-D



24732

D4-180I-B, D4-180I-C, D4-180I-D, D4-210A-A, D4-210A-B, D4-210I-A, D4-210I-B, D4-225A-B, D4-225A-C, D4-225A-D, D4-225I-B, D4-225I-C, D4-225I-D, D4-260A-A, D4-260A-B, D4-260A-C, D4-260A-D, D4-260D-B, D4-260D-C, D4-260D-D, D4-260I-A, D4-260I-B, D4-260I-C, D4-260I-D, D4-300A-A, D4-300A-C, D4-300A-D, D4-300D-A, D4-300D-C, D4-300D-D, D4-300I-A, D4-300I-C, D4-300I-D

REF	PART NO.	QTY	DESCRIPTION	NOTES
1	3595022	1	Wiring harness	
2	874567	1	· Cover, 89-pole	EDC-UNIT
3	874568	1	· Cover, 36-pole	EDC-UNIT
4	3889166	1	· Wiring harness	
5	874960	1	· Insulator	
6	976256	1	· Housing	
7	970753	1	· Housing	
8	976256	1	· Housing	
9	874455	1	· Receptacle housing	3-POLE
10	8159013	1	· Housing	
11	874211	1	· Tab housing	
12	874368	1	· Receptacle housing, pressure/temp	2-POLE
13	3587172	1	· Relay socket	
14	3587173	1	· Relay box	
15	3587174	1	· Relay retainer	
16	969407	1	· 6 point socket screw	
17	992330		· Housing	
18	874456	1	· Receptacle housing	4-POLE
19	973121	2	· Cable terminal	
20	1307048	1	· Housing	
21	881679	1	· Resistor, alternator	
22	940336	1	· Cable terminal	
	978969	1	· Cable terminal	
	978970	1	· Cable terminal	
23	874368	2	· Receptacle housing	2-POLE
24	874957	1	· Insulator	
25	874954	1	· Insulator	
26	992329	1	· Housing	
27	3595025	1	Bracket	
28	969515	8	6 point socket screw, temperature	
29	963103	8	Lock nut	
30	969405	4	6 point socket screw, temperature	
31	952632	2	Clamp	
32	946440	3	Flange screw	
33	949997	2	Clamp	
34	952629	2	Clamp	
35	946501	4	Flange screw	
36	21163201	1	Wiring harness	
37	976478	1	· Cable terminal, alternator	
38	842150	1	· Protective cap	
39	973121	1	· Cable terminal, alternator	
40	940336	1	· Cable terminal, starter motor	
41	940337	1	· Cable terminal, starter motor	
42	978966	1	· Cable terminal, starter motor	
43	948211	X	Cable tie	
44	3809875	1	Wiring harness	
45	874569	1	· Retainer	
46	874368	4	· Receptacle housing	
47	3809871	4	· Rubber cap	
48	952624	1	Clamp	
49	952627	1	Clamp	
50	952629	1	Clamp	
51	946501	3	Flange screw	
52	945081	1	Clamp	
53	873765	1	Relay	12V